

# Micro Switch

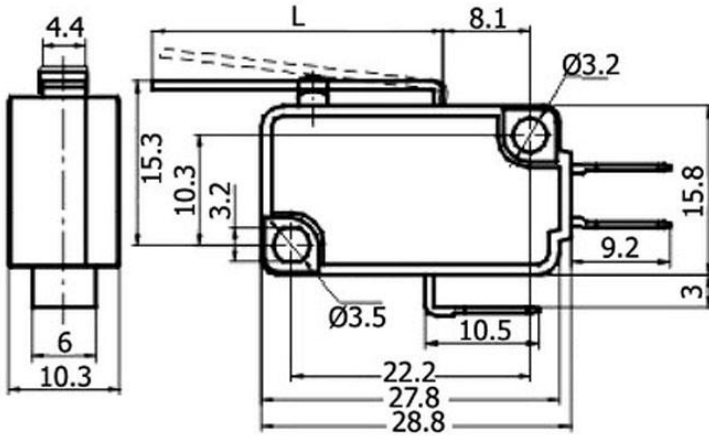
**Q-1733 B**

TYPE: SV-163-1C25

## SPECIFICATIONS

Rating: 16 A 250V AC  
Contact R: 50mΩ max  
Insulation R: 500V DC 100MΩ min  
Dielectric Strength: 1 Minute 1500V AC  
Operating Temperature: -25°C ~ +80°C  
Electrical Life: 100,000 Cycles  
L, mm: 51

Outline Drawing



Mounting

Circuitry

