



Features

- Microminiature relay.
- High sensitive: 200mW.
- High reliability gilt contact.
- Sealed type construction.

Safety Approval

UL, C-UL File No.: E179745
CQC File No.: CQC02001002118

Contact Capacity

| | |
|--|-----------|
| Model | SYS1 |
| Nominal switching capacity (res. load) | 3A 120VAC |
| Max. switching current | 3A |
| Max. switching voltage | 125VAC |
| Max. switching power | 360VA |

Charateristic Data

| | | |
|---|---|---|
| Contact material | Silver alloy | |
| Initial contact resistance (at 6VDC 1A) | 100mΩ Max. | |
| Operate time (at nominal volt.) | SYS1-D: 8msec. Max. | SYS1-L: 10msec. Max. |
| Release time (at nominal volt.) | 4msec. Max. | |
| Initial insulation resistance | 100MΩ Min.(DC500V) | |
| Initial dielectric strength | Between open contacts: AC500V, 50/60Hz 1Min. | |
| | Between coil and contact: AC750V, 50/60Hz 1Min. | |
| Vibration resistance | Functional | 10 ~ 55Hz at double amplitude of 1.5 mm |
| | Destructive | 10 ~ 55Hz at double amplitude of 1.5 mm |
| Shock resistance | Functional | 10G Min. |
| | Destructive | 50G Min. |
| Endurance (operations) | Mechanical (at 10,800 ops./h) | 10,000,000 |
| | Electrical (at 1,800 ops./h) | 100,000 |
| Ambient temperature | -30°C ~ +70°C (no condensation) | |
| Unit weight | Approx. 3.7 g | |

Coil Data (at 20°C)

| Nominal voltage (VDC) | Nominal operating current ± 10% (mA) | Coil resistance ± 10% (Ω) | Max. allowable voltage | Pick-up voltage (Max.) | Drop-out voltage (Min.) | Nominal operating power |
|-----------------------|--------------------------------------|---------------------------|--------------------------|-------------------------|-------------------------|-------------------------|
| 3 | 120.00 | 25 | 130 % of nominal voltage | 75 % of nominal voltage | 5 % of nominal voltage | 0.36W |
| 5 | 71.43 | 70 | | | | |
| 6 | 60.00 | 100 | | | | |
| 9 | 40.00 | 225 | | | | |
| 12 | 30.00 | 400 | | | | |
| 24 | 15.00 | 1,600 | | | | |

Coil Data (at 20°C)

| Nominal voltage (VDC) | Nominal operating current ± 10% (mA) | Coil resistance ± 10% (Ω) | Max. allowable voltage | Pick-up voltage (Max.) | Drop-out voltage (Min.) | Nominal operating power |
|-----------------------|--------------------------------------|---------------------------|--------------------------|-------------------------|-------------------------|-------------------------|
| 3 | 66.67 | 45 | 130 % of nominal voltage | 75 % of nominal voltage | 5 % of nominal voltage | 0.20W |
| 5 | 40.00 | 125 | | | | |
| 6 | 33.33 | 180 | | | | |
| 9 | 22.22 | 405 | | | | |
| 12 | 16.67 | 720 | | | | |
| 24 | 8.33 | 2,880 | | | | |
| 3 | 150.00 | 20 | | | | 0.45W |
| 5 | 90.00 | 55 | | | | |
| 6 | 75.00 | 80 | | | | |
| 9 | 50.00 | 180 | | | | |
| 12 | 37.50 | 320 | | | | |
| 24 | 18.75 | 1,280 | | | | |

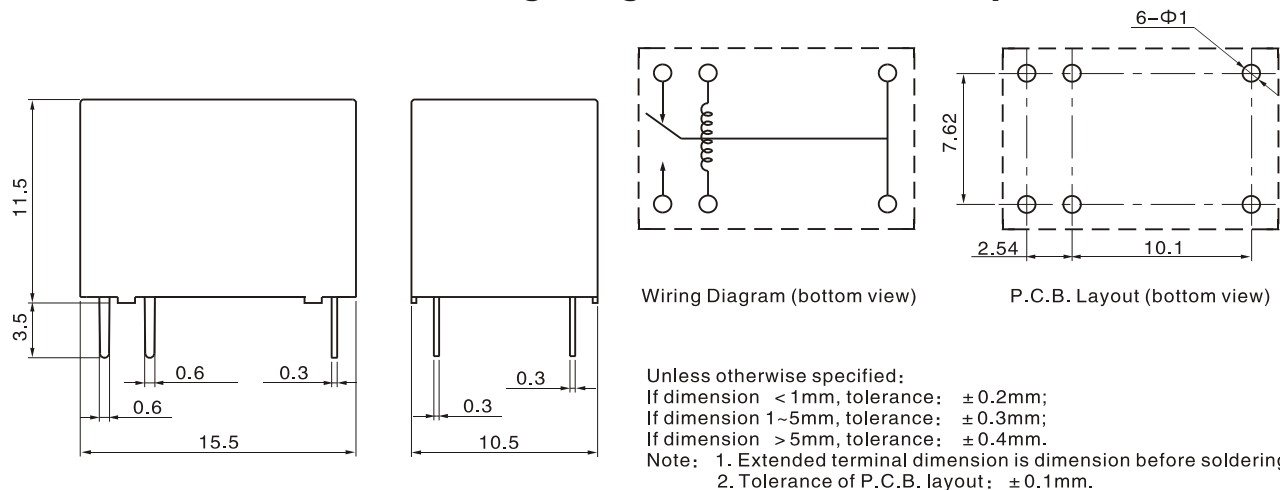
Safety Approval Ratings

| Approval | CQC | UL/CUL |
|------------------|----------------|------------------------------------|
| File No. | CQC02001002118 | E179745 |
| Approved ratings | 1 A 125VAC | 3A 120VAC 3A 24VDC 1A 120VAC |

Ordering Information

| Nomenclature | | | | | | |
|--|----|----|----|---|----|-----|
| SYS1 | -S | -1 | 12 | D | -F | -XX |
| Special Parameter: Nil-Standard type, Letter or number-Special requirement | | | | | | |
| Insulation System: Nil-Standard, B-Class B, F-Class F | | | | | | |
| Coil Power: D-0.36W, L-0.20W, Nil-0.45W | | | | | | |
| Coil Voltage (VDC): 03, 05, 06, 09, 12, 24 | | | | | | |
| Number of Poles: 1-1 Pole | | | | | | |
| Protective Construction: S-Flux proofed, SH-Sealed type washable | | | | | | |
| Type Designation: SYS1 | | | | | | |

Outline Dimensions, Wiring Diagram, P.C. board layout (unit: mm)



Typical Applications

- Telecommunication equipment
- Office equipment
- Home appliances
- Audio equipment, etc.

Characteristic Curves

