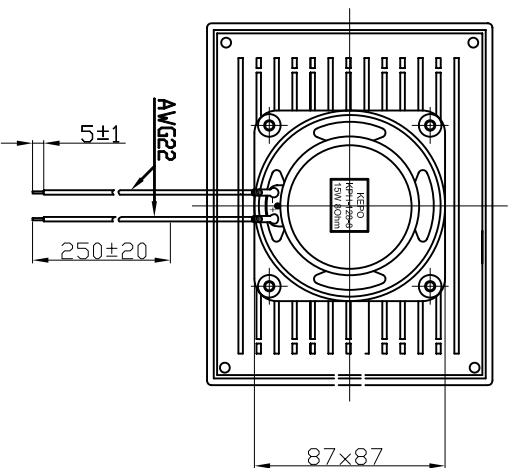
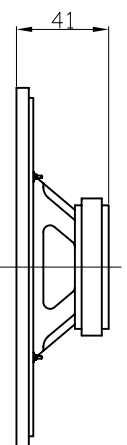
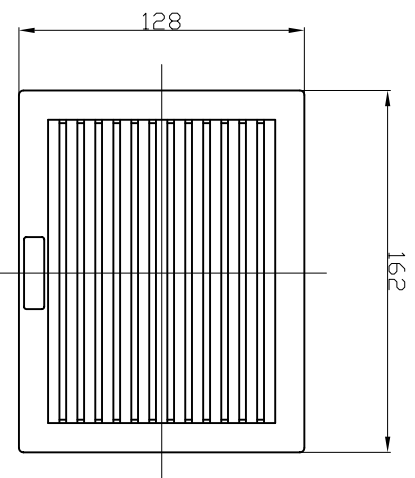


Specification (Test Condition, 25°C)

1. Housing Material ABS
2. Housing Color White
3. Voice Coil Impedance 8 Ohm (at 1 KHz)
4. Voice Coil Dimension $\varnothing 20$ mm(Dia.)
5. Magnet Size 60^*32^*8 mm(Dia.* dia.*H)
6. Power Rating RMS 10 W
7. Power Rating Peak 15 W
8. Frequency Range 500-6000Hz
9. Common Room S.P.L. 95 ± 3 dB (at 1 meter, 2.83V,500-6000Hz)
10. Load Test 8 Hours (at 8.94V,500-6000Hz)
11. Heat Test 8 Hours (at 85°C)
12. Operating Temperature Range $-20\sim +85^{\circ}\text{C}$
13. Wires Connection Red, Black (Non-polarized)
(0.18mm*34 parallel lead wires,300mm long with 5mm stripped & tinned)
14. Weight 344 ± 10 g



No.		DESCRIPTION	APPROVED	DATE	KEPO NINGBO KEPO ELECTRONIC CO.,LTD http://www.chinaacoustic.com	
TOLERANCES, UNLESS NOTED OTHERWISE:			APPROVALS	DATE	Electronic horn	
XX ±			DRAWN		KPH-128-8	
XXX ±			CHECKED		KPG.842.441	
90° ANGLES ±1°			APPROVED	06.10.23	UNIT	mm
FIRST ANGLE PROJECTION					SCALE	NOT TO SCALE
					SHEET	VER 1.2