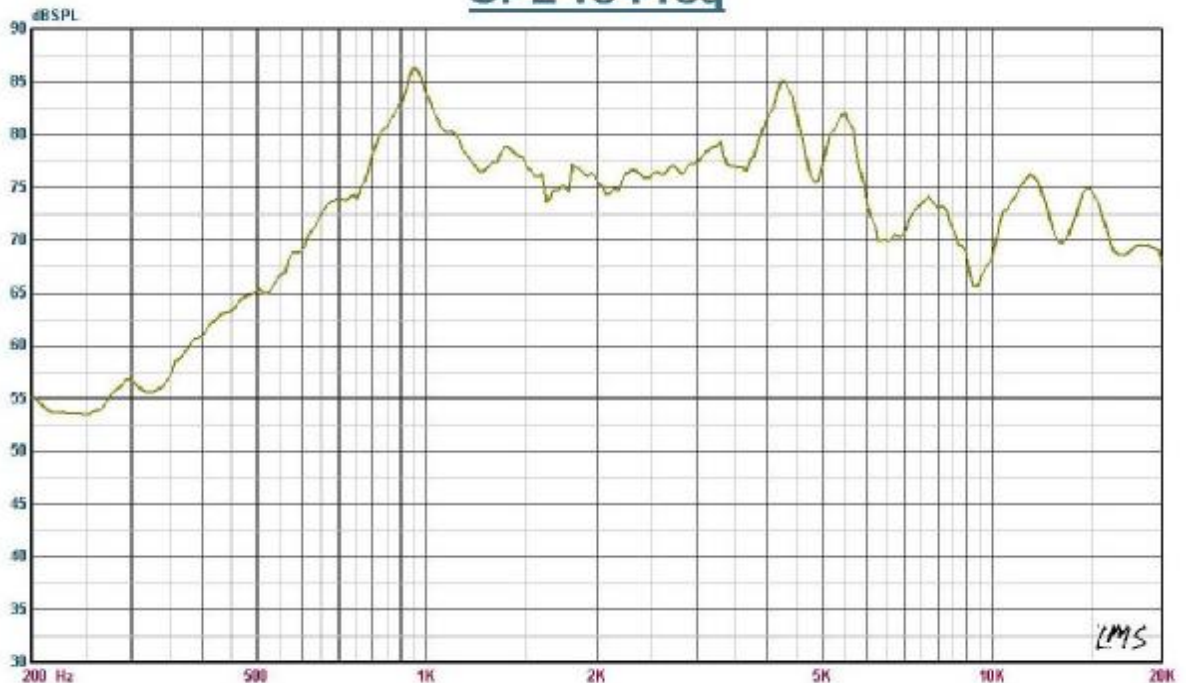


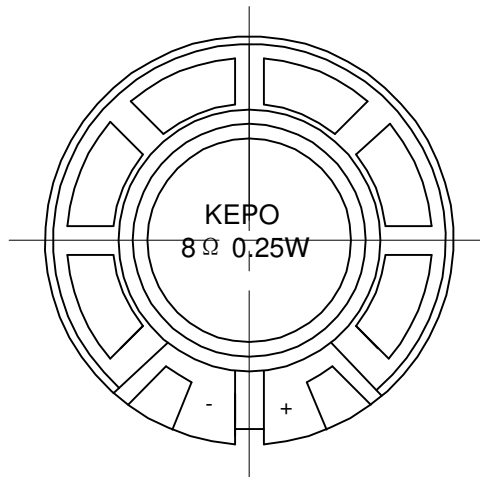
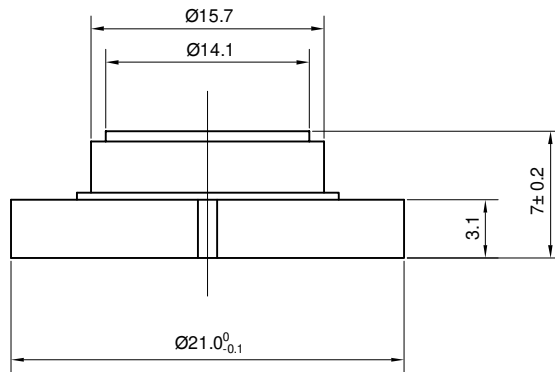
Speaker Specification

Customer's Model No.			Customer	QUARTZ-1	
Kepo Model No.		KPSP2170PF-08/0.25A	Size	Φ21mm	No. J18291.01
No.	Item	Specification	Test Condition		
1	Impedance	$8\Omega \pm 15\%$	at 1000Hz		
2	Resonant Fr. (f_0)	950Hz \pm 20%			
3	Frequency Range	F0-7.0KHz			
4	Rated Power	0.25W			
5	Max Power	0.5W			
6	S.P.L.	83 \pm 3dB	0.5W / 0.5M at 1.0kHz		
7	Distortion	Max 5%	at rated power 2.0kHz		
8	Sweep Test	must be normal	at sine wave 1.4 V		
9	Load Test	after test meet item 8	rated noise power, 24 Hrs.		
10	Heat Test	after test meet item 8	50 \pm 2 $^{\circ}$ C 5Hrs.		
11	Cold Test	after test meet item 8	-20 \pm 2 $^{\circ}$ C 5Hrs.		
12	Humidity Test	after test meet item 8	40 \pm 2 $^{\circ}$ C, 90/95%R.H. 5Hrs.		
13	Weight				
14	Polarity Test	When supplied plus D.C. voltage to (+) terminal, the cone must move to forward.			
15	Note				

SPL vs Freq



Dimensions:



FIRST ANGLE PROJECTION

UNIT : mm
Tolerance : ± 0.2