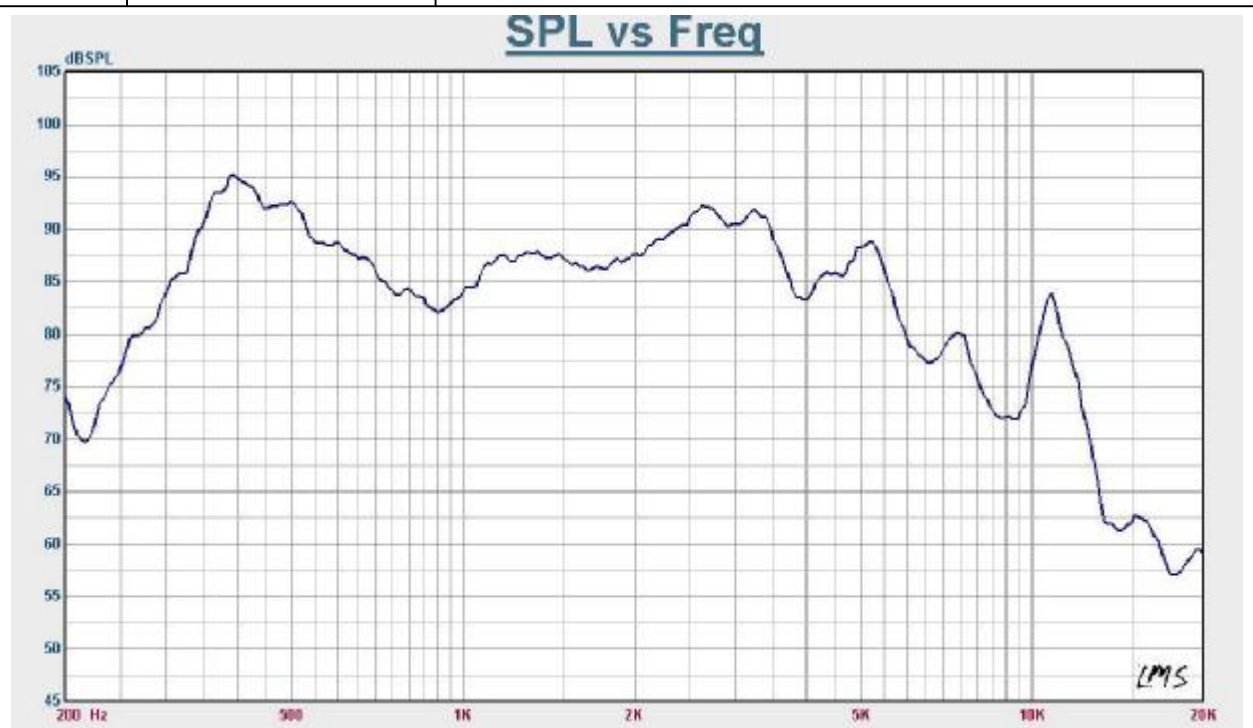
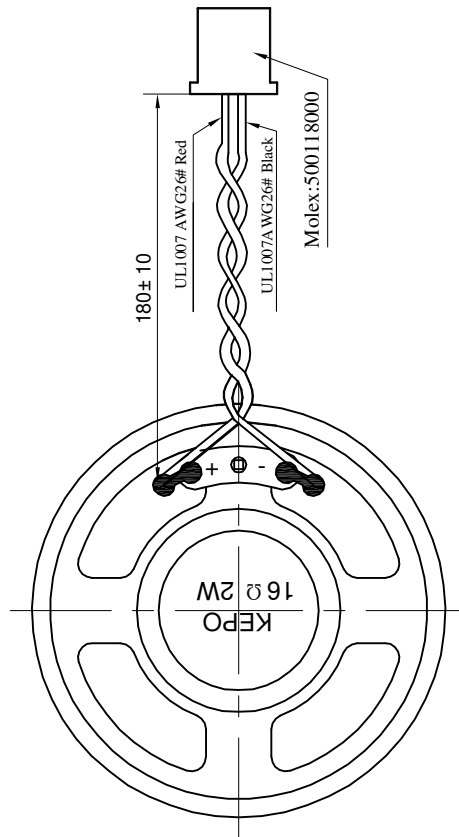
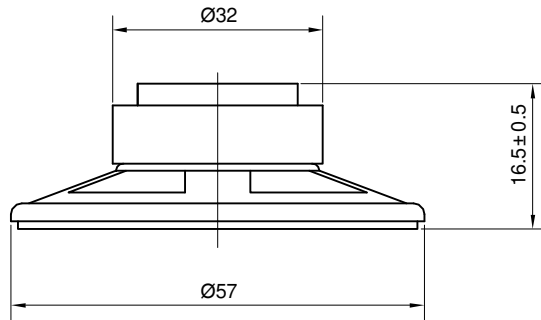


Speaker Specification 音 控

Customer's Model No.		Customer		TIM	
Kepo Model No.		KPSP57170MF-16/2.0GC	Size	Φ57mm	No. KF3.002.252
No.	Item	Specification	Test Condition		
1	Impedance	16Ω ±15%	at 800Hz		
2	Resonant Fr. (f _o)	440Hz± 20%			
3	Frequency Range	F0-7.0KHz			
4	Rated Power	2W			
5	Max Power	3W			
6	S.P.L.	84± 3dB	1W / 1M at 1.0k		
7	Distortion	Max 5%	at rated power 1.0kHz		
8	Sweep Test	must be normal	at sine wave 5.65V		
9	Load Test	after test meet item 8	rated noise power, 24 Hrs.		
10	Heat Test	after test meet item 8	50± 2℃ 5Hrs.		
11	Cold Test	after test meet item 8	-20± 2℃ 5Hrs.		
12	Humidity Test	after test meet item 8	40± 2℃,90/95%R.H. 5Hrs.		
13	Weight				
14	Polarity Test	When supplied plus D.C. voltage to (+) terminal, the cone must move to forward.			
15	Note	blue&white zinc palting			



Dimensions:



FIRST ANGLE PROJECTION

UNIT : mm
Tolerance : ± 0.2