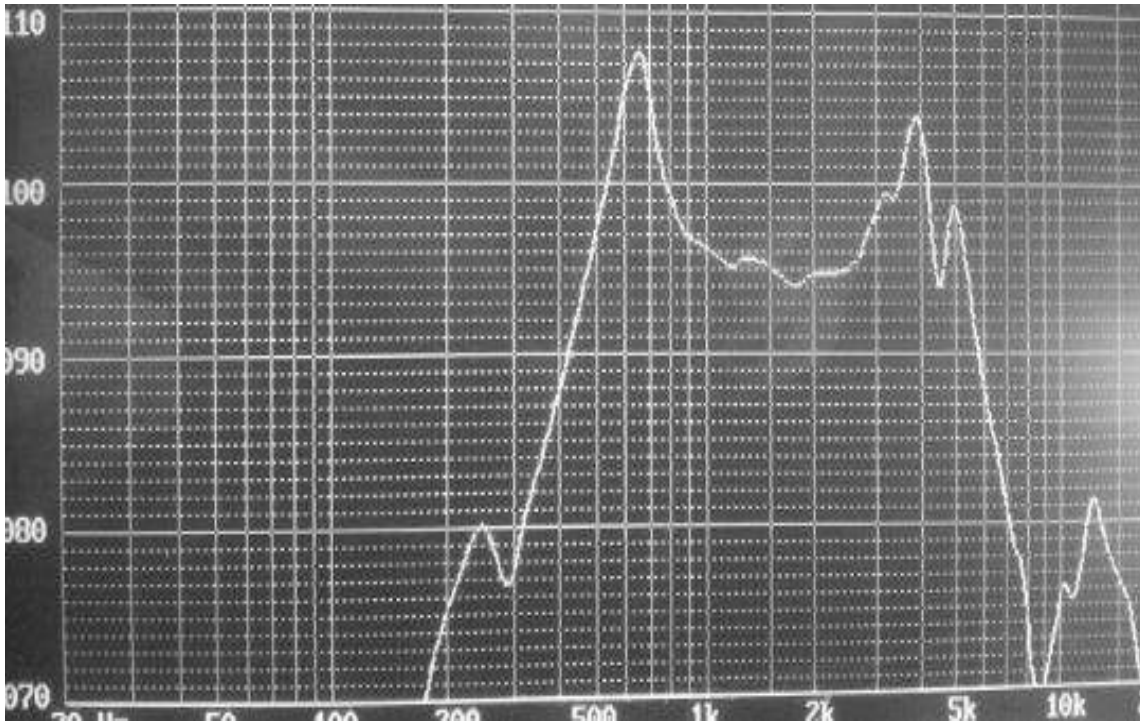


# SPECIFICATION FOR APPROVAL

	No	QSZ1803
d=30MM 4 Ohm 0.5W		Pages 1

## 1.General performance

Product model	<b>Φ30 4Ω 0.5W</b>
Electric resistance	<b>4±20% at 1 kHz</b>
Sensitivity	<b>90±3dB</b>
Frequency response (F0)	<b>650Hz-750Hz</b>
Testing device	<b>JH6160(R)</b>
Voltage input	<b>1.5V</b>



## 2.Ambient performance

Operating temperature	<b>-20°C o +50°C</b>
Operating humidity	<b>30%~75%RH ( NO dew condensation)</b>
Ambient temperature for storage	<b>-20°C o +50°C</b>
Ambient humidity for storage	<b>20%~80% (Water vapor pressure 6643pa Max)</b>
Storage life	<b>1year</b>

	No	QSZ1803
d=30MM 4 Om 0,5W		Pages 2

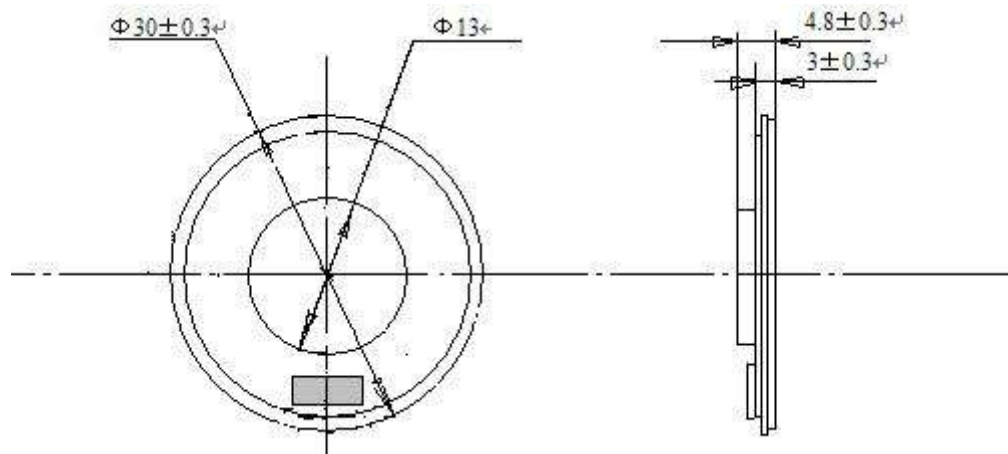
### 3. Reliability performance

	Item	Conditions	Performance requirement	Devices used
	High-temperature resistance	50°C ± 2°C 30h	No deformation	
	Low-temperature resistance	-20°C 30h	No deformation	
	Temperature shock	-20°C -50°C	No deformation	
	Humidity resistance	50 ± 2°C 80%30h	No deformation	
	Weldability	300 ± 5°C 3 ± 0.5s		
	Resistance to welding Heat	300 ± 5°C \2.5sec.		
	Vibration	Vibration: 10-45HZ; 1mm 10G; 10 ~ 45 ~ 10HZ; X, Y, Z Vibration 1h	Still can work properly	
	Drop	Height 75 ± 5CM Drop 2CM Wood board Three times		

	No	QSZ1803
d=30mm 4 Ohm 0,5W		Pages 3

#### 4: Physical dimension and performance

	(mm)
External diameter	$30 \pm 0.3$ mm
Height	$4.6 \pm 0.2$ mm



	No	QSZ1803
d=30MM 4 Om 0,5W		Pages 4

## 5, List of material

Material designation		Material composition	content (%)	note
Enclosure	HY000102	Sheet metal	65	
Metallic gasket	HY000003	Sheet metal	5	
Magnet	HY000058	Magnet	25	
Terminal board	HY000006	Copper	5	

## 6. Visual inspection criteria

		Rating of importance	Criteria	How to check	Criteria
Visual appearance	Soldering tin	A	G-II,AQL=0.25	By visual inspection	No fading.
	Enclosure	B	G-II,AQL=0.25	By visual inspection	No bad color distortion
	Product identification	B	G-II,AQL=0.01	By visual inspection	Legible writing

## 7. Welding temperature

$$300 \pm 5^{\circ}\text{C}$$

## 8, Welding interval

$$2 \pm 0, 5\text{S. } \Delta f/f < 10\text{ppm, } \Delta \text{RS} < 10\%$$

	No	QSZ1803
d=30MM 4 Om 0,5W		Pages 5

## 9, Storage and operating conditions

- 1, Ambient temperature for storage: -20°C+50°C
- 2, Ambient humidity for storage: 20%-80%
- 3, Operating life:  $\geq 1$  year

## 10, Manufacturer

Product model:  $\Phi 30 \ 4 \Omega \ 0.5W$

Manufacturer:

Packaging: Carton

Net weight: 15KG Gross weight: 16KG

## 11, Packaging

	SHIPPING MARK		
<u>Outer packing</u>	<u>Carton</u>		
<u>Inner packing</u>	<u>Foam box</u>		

- 1, Quantity per box: 200PCS
- 2, Quantity per carton: 2000PCS