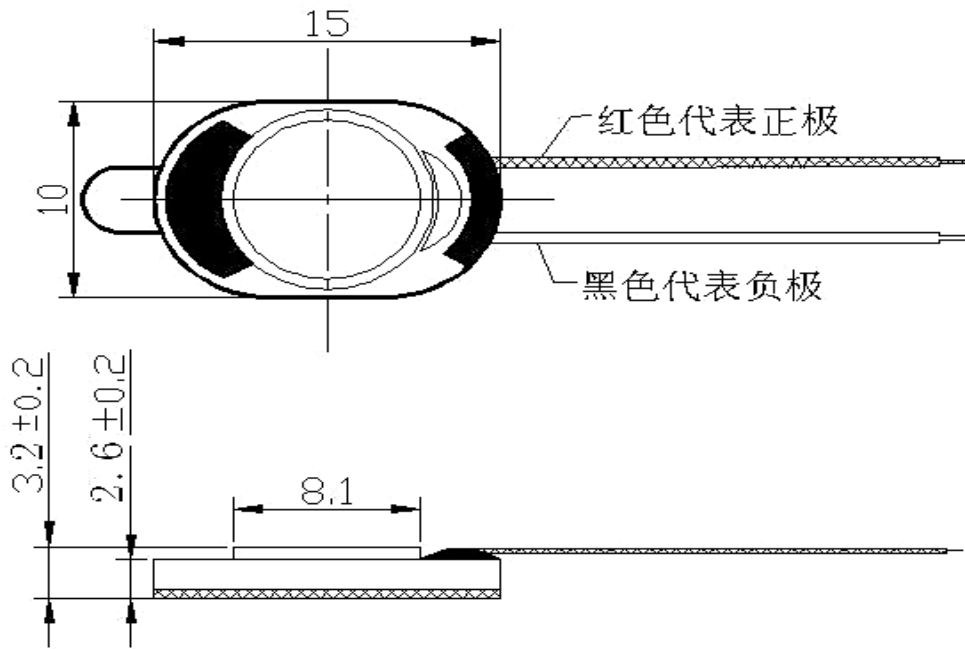


ENGINEERING LABORATORY SPECIFICATION			ITEM NO	GST101533
			(DATE)	2016/8/15
NO	Item	Specifications	Conditions	
1	Part Number	Динамик 10x15мм 8 Ом 1W		
2	Type	MYLAR		
3	Dimension	1015×H3. 3mm		
4	Voice Coil Imp	8± 15%Ohm	AT 1000 Hz 1.0 V	
5	Input Power	Normal Input 0.8W	Maximum Input 1.0W	
6	Resonance FO	1700± 20% Hz	Input 1V without A baffle	
7	Output SPL	88± 3 dB	AT 1.0W ON AXIS CALIBRATION ROM 0.1M MEASVRMENT CRY6125Y LABORATORY FREE FIELD AVERAGE 1600,2000,2500,3000 Hz	
8	Response	SPL-10dB FO ~20 K Hz MAX		
9	Polarity	When a positive D.C.current is applied to the voice coil terminal marked to The diaphragm shall move for ward		
10	Operation Test	Must be normal at program Source	0.8W	
11	Buzz Rattle Etc	Must be normal at Sine Wave	1.5V	
12	Load Test	After test meet item White noise	1.0W 96 Hours	
13	Distortion	7% MAX	AT 1000 Hz 1.0W	
14	(High Temperature Test)	After 55±3℃	96Hour	
15	(Low Temperature Test)	After -25±3℃	96Hour	
16	(Humidity Test)	After 40±3℃ 90~95% R.H.	96Hour	

SIZE DRAW



05/30/2007 14:39 CRY6125Y 扬声器测试仪 V91 无框 滤波器1次

DCR= _____ Ω 1KHz灵敏度 : 078.61 dB ACZ: _____ Ω Qm: _____
 Ueq= _____ dm3 \Rightarrow 平均灵敏度 : 093.77 dB Zm : _____ Ω Qe: _____
 Dist.=010 cm F1= 1295Hz F2=29006Hz F0 : _____ Hz Qt: _____
 型号:1510m-0308
 0 dB 参考值为 : 20.0 μ Pa 扫频速度 : 002 ms 中速 扫频模式 : 1/24 Oct

