

MAGNETIC BUZZER

Material of Case: ABS

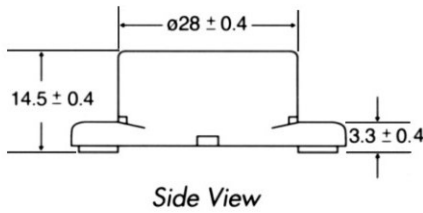
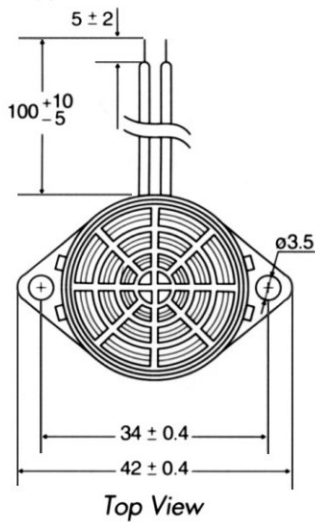
Colour: Black

Operating Temperature: -20°C $+60^{\circ}\text{C}$

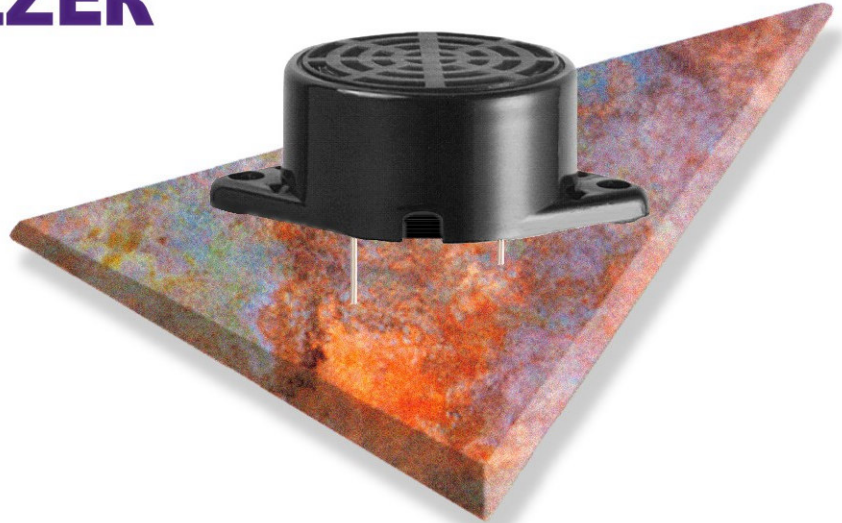
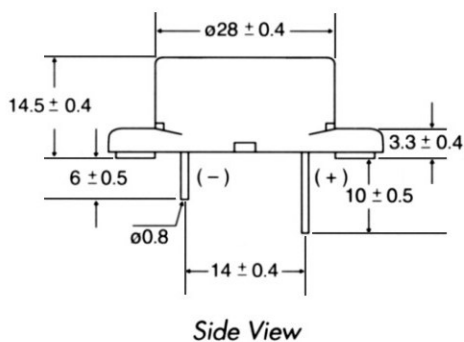
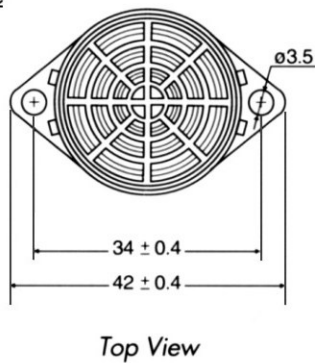
Storage Temperature: -30°C $+70^{\circ}\text{C}$

DIMENSIONS (in mm)

Leadwire Type



Pin Type



Electrical Specifications

Model No.	1S3030	1S3060	1S3090	1S3120	1S3240	1S3415
Operating Voltage (VDC)	2-5	4-9	6-11	9-15	15-28	4-15
Rated Voltage (VDC)	3	6	9	12	24	12
Max. Current at Rated Voltage (mA)	35	35	40	40	20	15
Frequency (KHz)	2.8±0.2	2.8±0.2	2.8±0.2	2.8±0.2	2.8±0.2	2.8±0.2
Min. Sound Pressure at Rated Voltage (dBA/30cm)	85	85	85	90	90	85
Tone	SINGLE	SINGLE	SINGLE	SINGLE	SINGLE	SINGLE
Pulse Rate at Rated Voltage (Pulse/Sec)	NIL	NIL	NIL	NIL	NIL	NIL
Terminal	LEAD/PIN	LEAD/PIN	LEAD/PIN	LEAD/PIN	LEAD/PIN	LEAD/PIN