

SPECIFICATIONS SHEET

PRODUCT TYPE : CONDENSOR MICROPHONE

PRODUCT SERIES : PR12266-MIC

DESCRIPTION : MIC UNI 9752 1.5V 680R 47/4 PIN RoHS

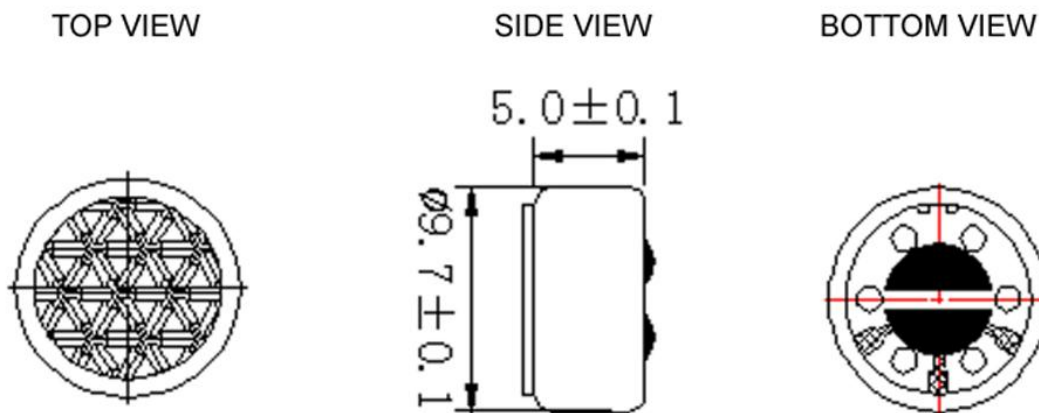
COLOR : SILVER

ELECTRICAL SPECIFICATIONS

MODEL NO.	PR12266-MIC-U9752	
DIAMETER (A) ±0.1	mm	Ø 9.7
HEIGHT (B) ±0.2	mm	5.2
SENSITIVITY (0 dB = 1V / Pa) AT 1K Hz	dB	- 47.0 ± 4.0
DIRECTIVITY		UNIDIRECTIONAL
POWER SUPPLY (Vs)	V	1.5
RESISTANCE LOADING (RL)	Ω	680
OPERATING VOLTAGE RANGE	V	1.0 ~ 10.0
MAX. CURRENT	mA	0.5
TERMINAL		NIL
HOUSING MATERIAL		ALUMINUM
S / N RATIO	dB	MORE THEN 58.0
FREQUENCY RANGE	Hz	100 ~ 8000

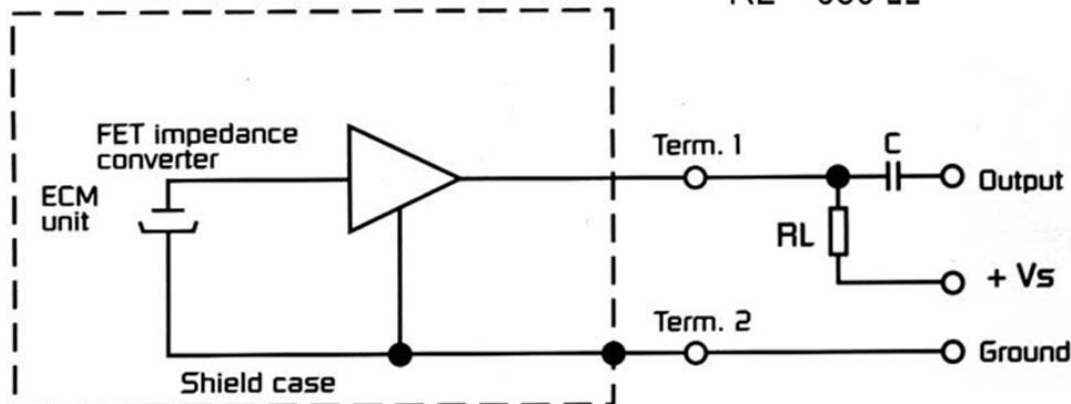
DIMENSIONS

UNIT : mm



SCHEMATIC DIAGRAM

**Vs = 1.5V
RL = 680 Ω**



Approved By : 
Date : 5-Jul-2012

Prepared By : 
Date : 5-Jul-2012

Modify :	Date :	By :