



SPECIFICATIONS SHEET

PRODUCT TYPE : CONDENSOR MICROPHONE

PRODUCT SERIES : DB-CF5822

DESCRIPTION : MIC OMN 5822 2V 2.2KR 38/3 PIN SP RoHS

COLOR : SILVER

ELECTRICAL SPECIFICATIONS

MODEL NO.		CF5822CD383LF - P
DIAMETER (A) +/- 0.1	mm	Ø 5.8
HEIGHT (B) +/- 0.2	mm	2.2
SENSITIVITY (0 dB = 1V / Pa) AT 1K Hz	dB	- 38.0 +/- 3.0
DIRECTIVITY		OMNIDIRECTIONAL
POWER SUPPLY (Vs)	V	2.0
RESISTANCE LOADING (RL)	Ω	2.2 K
OPERATING VOLTAGE RANGE	V	1.0 ~ 10.0
MAX. CURRENT	mA	0.5
TERMINAL		PIN
HOUSING MATERIAL		ALUMINUM
S / N RATIO	dB	MORE THEN 60.0
FREQUENCY RANGE	Hz	50 ~ 16000

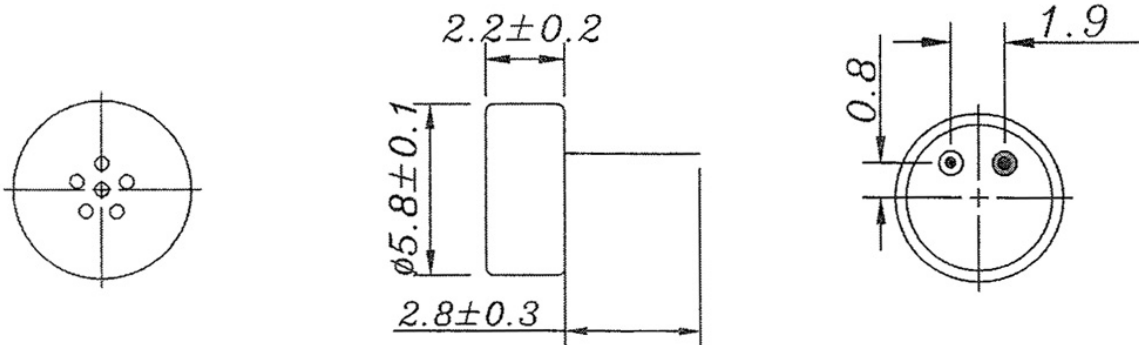
DIMENSIONS

UNIT : mm

TOP VIEW

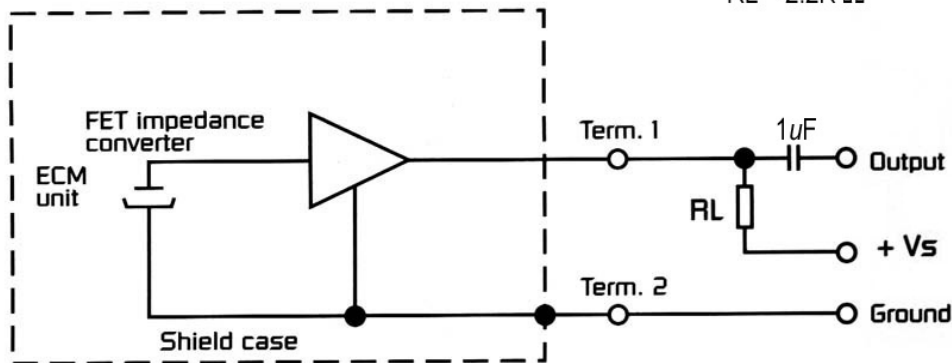
SIDE VIEW

BOTTOM VIEW



SCHEMATIC DIAGRAM

Vs = 2V
RL = 2.2K Ω



Approved By : Date : 31-Mar.-2004



Prepared By : Date : 31-Mar.-2005



Modify :	Date :	By :