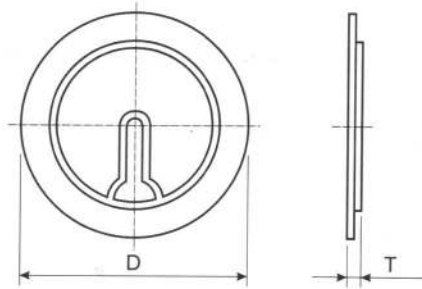
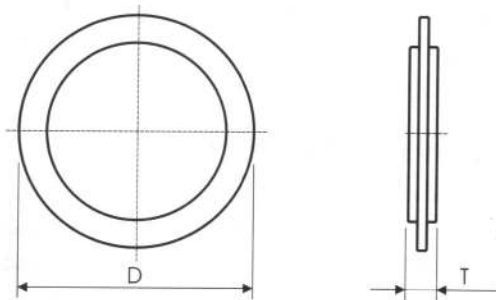


PIEZO CERAMIC ELEMENT

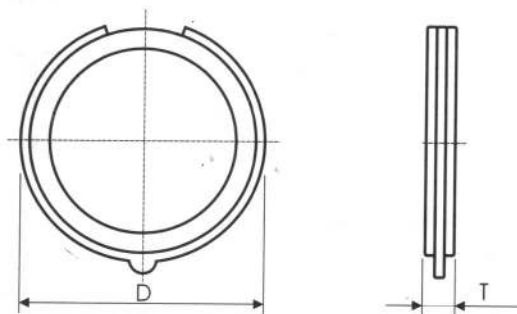
Type	Resonant Frequency (KHz)	Resonant Impedance (Ω max)	Capacitance (PF at 1KHz)	Input Voltage (Vp-p max)	D (mm)	T (mm)
MT-20T-6.5B1	6.5	250	12000	30	20	0.45
MT-27T-4.0B1	4.0	300	18000	30	27	0.45



Type	Resonant Frequency (KHz)	Resonant Impedance (Ω max)	Capacitance (PF at 1KHz)	Input Voltage (Vp-p max)	D (mm)	T (mm)
MTSB-31T-2.2A1	2.2	150	130000	30	31	0.4



Type	Resonant Frequency (KHz)	Resonant Impedance (Ω max)	Capacitance (PF at 1KHz)	Input Voltage (Vp-p max)	D (mm)	T (mm)
MTSB-21T-3.8A1	3.8	150	80,000	30	21	0.28
MTSB-21T-3.9A1	3.9	150	120,000	30	21	0.35



Type	Resonant Frequency (KHz)	Resonant Impedance (Ω max)	Capacitance (PF at 1KHz)	Input Voltage (Vp-p max)	D (mm)	T (mm)
MTSB-21TY-4.0A1	4.0	150	80,000	30	21	0.33
MTSB-21TY-5.5A1	5.5	300	70,000	30	21	0.50
MTSB-22TY-3.5A1	3.5	150	130,000	30	22	0.35
MTSB-24TY-3.3A1	3.3	150	110,000	30	24	0.33
MTSB-25TY-2.5A1	2.5	150	180,000	30	25	0.35