

# SPECIFICATION

## 1. SCOPE

This specification is applied to the piezo-element.

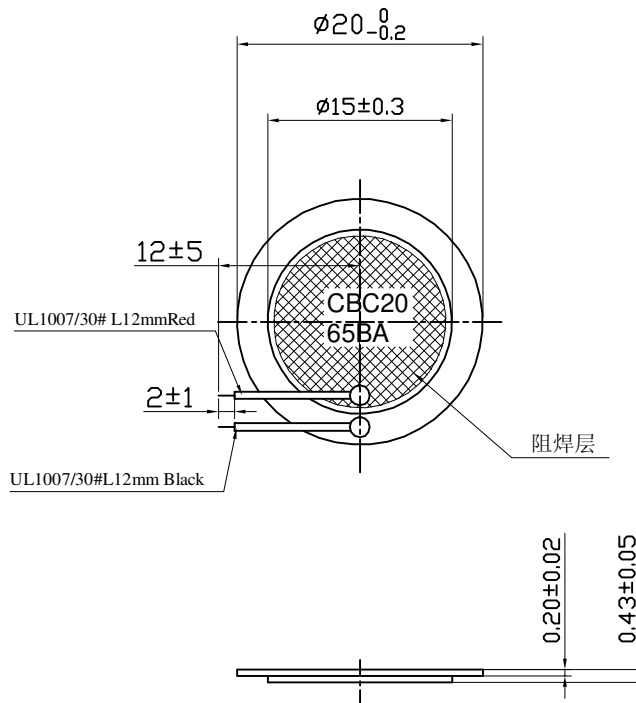
## 2. SPECIFICATION

(at 25°C)

- 2.1 Resonant Frequency : 6.5 ± 1 KHz
- 2.2 Resonant Resistace : 350 Ω max
- 2.3 Capacitance : 14000 pF ± 30% at 100Hz
- 2.4 Input Voltage : 30 Vp-p max
- 2.5 Operating Temperature : -20~+50°C
- 2.6 Storage Temperature : -20~+70°C

## 3. DIMENSION

: as per figure



<p>TOLERANCES UNLESS NOTED OTHERWISE</p> <p>.X ±</p> <p>.XX ±</p> <p>.XXX ±</p> <p>90° FORMED +2°</p> <p>ANGLES -1°</p> <p>FIRST ANGLE PROJECTION</p>	DRAWN		KEPO MODEL NO.	CUSTOMER			
	DESIGN		<b>CBC2065BAL-5</b>	<b>QUARTZ-1 LTD</b>			
	CHECKED			CUSTOMER NO.			
	APPROVED		DWG NO.				
	DATE	05.12.22	OEM1090	VER	1.2	SCALE	
	CONTRACT NO.			UNIT	mm	SHEET	
AGENCY APPROVAL			<i>KEPO CO.,LTD.</i>		TEL:(+86)574-88370330 FAX:(+86)574-88370329		

1

2

3

4