

SPECIFICATION

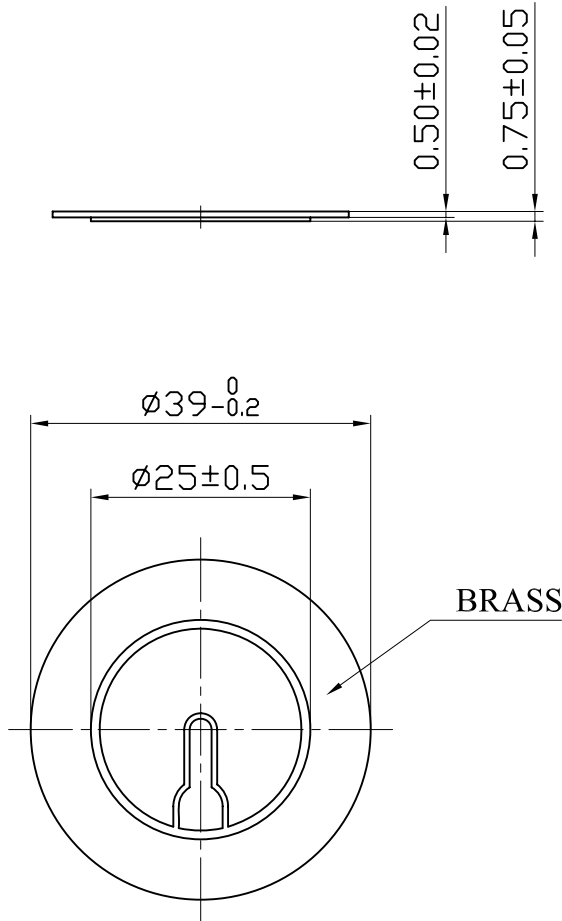
1. SCOPE

This specification is applied to the piezo-element.

2. SPECIFICATION

(at 25°C)

- | | | |
|---------------------------|---|------------------------|
| 2.1 Resonant Frequency | : | 2.7 ± 0.3 KHz |
| 2.2 Resonant Resistace | : | 400 Ω max |
| 2.3 Capacitance | : | 20000~28000pF at 100Hz |
| 2.4 Input Voltage | : | 30Vp-p max |
| 2.5 Operating Temperature | : | -20~+60°C |
| 2.6 Storage Temperature | : | -20~+70°C |
| 3. DIMENSION | : | as per figure |

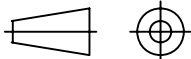


TOLERANCES UNLESS NOTED OTHERWISE

.X ±
.XX ±
.XXX ±

90° FORMED +2°
ANGLES -1°

FIRST ANGLE PROJECTION



DRAWN

DESIGN

CHECKED

APPROVED

DATE

03.05.17

CONTRACT NO.

AGENCY APPROVAL

KEPO MODEL NO.

MFT-39T-2.7B1

DWG NO.

KP3.843.804

KEPO CO., LTD.

CUSTOMER

CUSTOMER NO.

VER

1.0

SCALE

UNIT

mm

SHEET

TEL: (+86)574-88370330

FAX: (+86)574-88370329