

SPECIFICATION

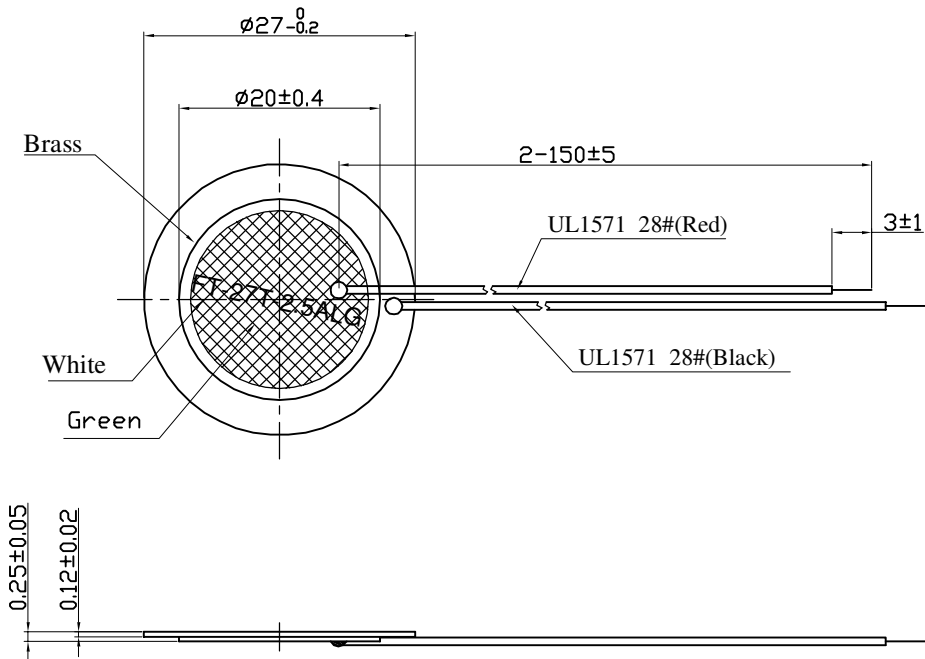
1. SCOPE

This specification is applied to the piezo-element.

2. SPECIFICATION

(at 25°C)

2.1 Resonant Frequency	:	2.5 ± 0.5 KHz
2.2 Resonant Resistance	:	500 Ω max
2.3 Capacitance	:	50000pF ± 30% at 100Hz
2.4 Input Voltage	:	30Vp-p max
2.5 Operating Temperature	:	-20~+50°C
2.6 Storage Temperature	:	-20~+60°C
3. DIMENSION	:	as per figure



TOLERANCES UNLESS NOTED OTHERWISE .X ± .XX ± .XXX ± 90° FORMED +2° ANGLES -1° FIRST ANGLE PROJECTION 	DRAWN		KEPO MODEL NO.	CUSTOMER			
	DESIGN		FT-27T-2.5AL150-G	QUARTZ-1			
	CHECKED			CUSTOMER NO.			
	APPROVED		DWG NO.	VER	1.0	SCALE	
	DATE	06.0310	OEM2086	UNIT	mm	SHEET	
	CONTRACT NO.		KEPO CO.,LTD.	TEL:(+86)574-88370330			
AGENCY APPROVAL		FAX:(+86)574-88370329					