

1

2

3

4

受 控

## SPECIFICATION

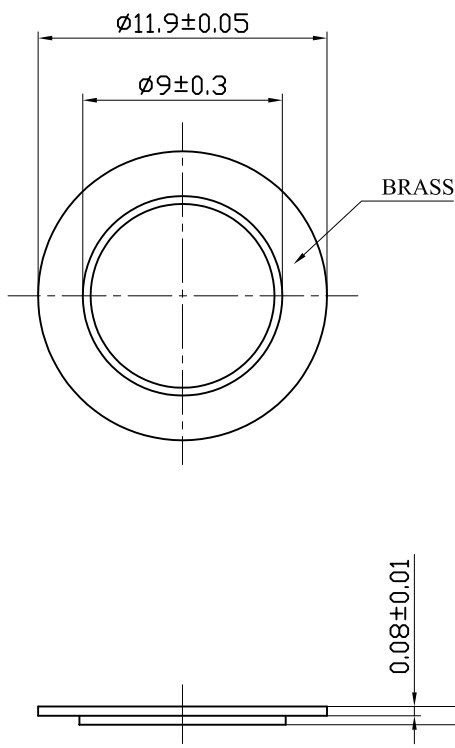
## 1. SCOPE

This specification is applied to the piezo-element.

## 2. SPECIFICATION

(at25°C)

2.1 Resonant Frequency	:	6.5± 1.0KHz
2.2 Resonant Resistace	:	800 Ω max
2.3 Capacitance	:	10000~15000pF at 100Hz
2.4 Input Voltage	:	30Vp-p max
2.5 Operating Temperature	:	-20~+70°C
2.6 Storage Temperature	:	-20~+80°C
2.7 Highest Operating Temperature	:	170°C (for 0.5 hours)
3. DIMENSION	:	as per figure

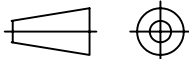


TOLERANCES UNLESS NOTED OTHERWISE

.X ±  
.XX ±  
.XXX ±

90° FORMED +2°  
ANGLES -1°

FIRST ANGLE PROJECTION



DRAWN

汪逸

DESIGN

CHECKED

APPROVED

DATE

09.07.24

CONTRACT NO.

AGENCY APPROVAL

KEPO MODEL NO.

FT-12T-6.5A1

DWG NO.

KP3.845.852

KEPO CO.,LTD.

CUSTOMER

CUSTOMER NO.

VER

1.3

SCALE

UNIT

mm

SHEET

TEL:(+86)574-88370330

FAX:(+86)574-88370329

1

2

3

4