

SPECIFICATION

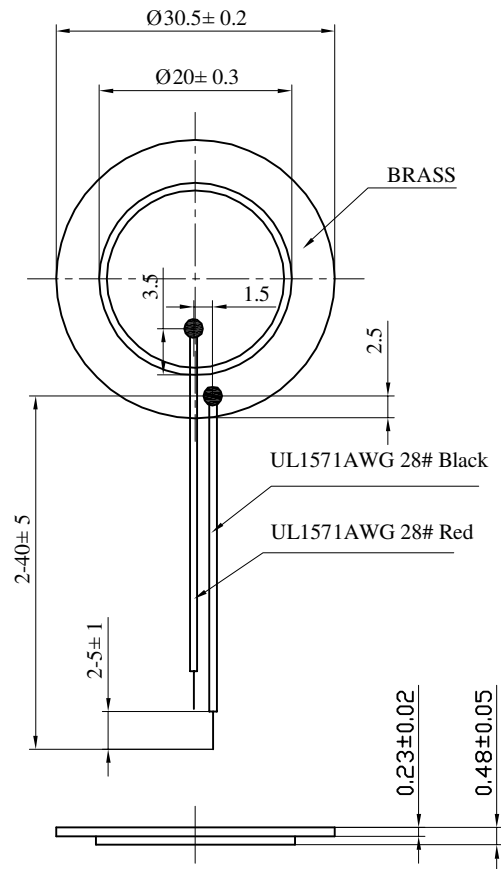
1. SCOPE

This specification is applied to the piezo-element.

2. SPECIFICATION

(at 25°C)

- | | | |
|---------------------------|---|--------------------------|
| 2.1 Resonant Frequency | : | 3.0 ± 0.5 KHz |
| 2.2 Resonant Resistance | : | 400 Ω max |
| 2.3 Capacitance | : | 22000 pF ± 30% at 100 Hz |
| 2.4 Input Voltage | : | 30 Vp-p max |
| 2.5 Operating Temperature | : | -20 ~ +50 °C |
| 2.6 Storage Temperature | : | -20 ~ +70 °C |
| 3. DIMENSION | : | as per figure |



| | | | | | | | |
|--|--------------|----------------|----------------|--|-----|-------|--|
| TOLERANCES UNLESS NOTED OTHERWISE .X ± .XX ± .XXX ± 90° FORMED +2° ANGLES -1° FIRST ANGLE PROJECTION | DRAWN | | KEPO MODEL NO. | CUSTOMER | | | |
| | DESIGN | | FT-30.5T-3.0AL | CUSTOMER NO. | | | |
| | CHECKED | | | | | | |
| | APPROVED | | DWG NO. | VER | 1.0 | SCALE | |
| | DATE | 06.05.23 | KP3.845.840.01 | UNIT | mm | SHEET | |
| | CONTRACT NO. | | | TEL: (+86)574-88370330 FAX: (+86)574-88370329 | | | |
| AGENCY APPROVAL | | KEPO CO., LTD. | | | | | |