

SPECIFICATION

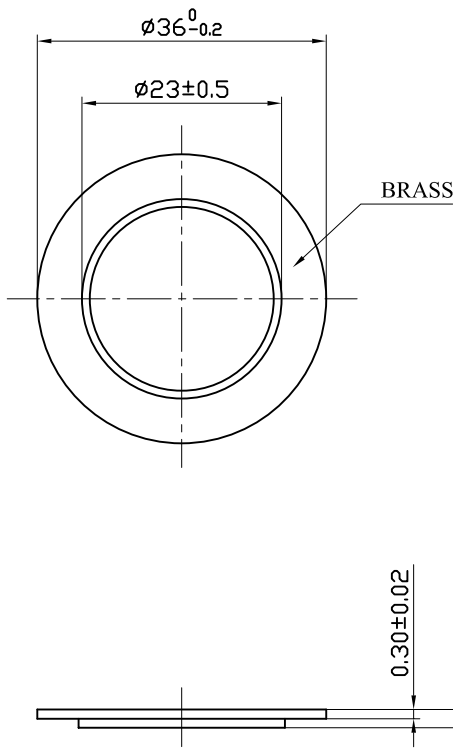
1. SCOPE

This specification is applied to the piezo-element.

2. SPECIFICATION

(at 25°C)

2.1 Resonant Frequency	:	2.6 ± 0.3 KHz
2.2 Resonant Resistance	:	500 Ω max
2.3 Capacitance	:	25000 pF ± 30% at 100Hz
2.4 Input Voltage	:	30 Vp-p max
2.5 Operating Temperature	:	-20 ~ +60°C
2.6 Storage Temperature	:	-20 ~ +70°C
3. DIMENSION	:	as per figure



TOLERANCES UNLESS NOTED OTHERWISE .X ± .XX ± .XXX ± 90° FORMED +2° ANGLES -1°	DRAWN		KEPO MODEL NO.	CUSTOMER				
	DESIGN		M20FT-36T-2.6A1	CUSTOMER NO.				
	CHECKED							
	APPROVED		DWG NO.		VER	1.1	SCALE	
	DATE	04.04.07	KP3.843.764					
	CONTRACT NO.				UNIT	mm	SHEET	
FIRST ANGLE PROJECTION 	AGENCY APPROVAL		KEPO CO., LTD.	TEL: (+86)574-88370330 FAX: (+86)574-88370329				