

SPECIFICATION

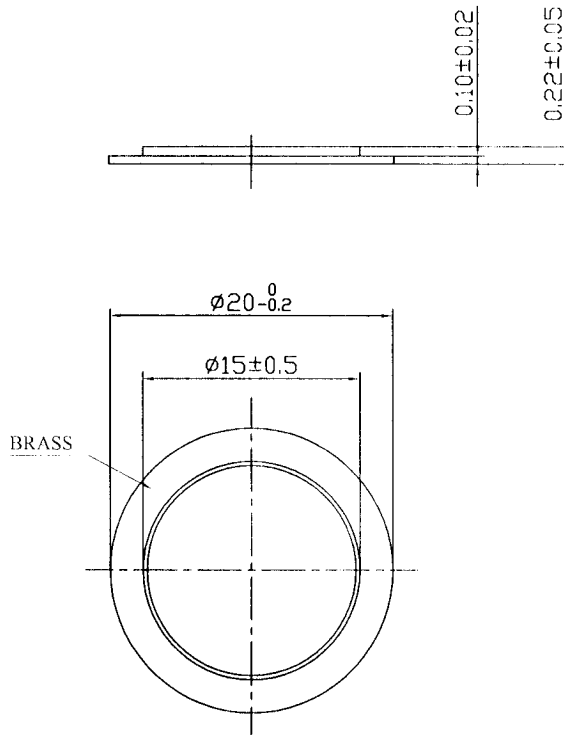
1. SCOPE

This specification is applied to the piezo-element.

2. SPECIFICATION

(at 25°C)

2.1 Resonant Frequency	:	3.0~4.5 KHz
2.2 Resonant Resistance	:	250 Ω max
2.3 Capacitance	:	30000 pF ± 30% at 100Hz
2.4 Input Voltage	:	30 V _{p-p} max
2.5 Operating Temperature	:	-20~+60°C
2.6 Storage Temperature	:	-20~+70°C
3. DIMENSION	:	as per figure



TOLERANCES UNLESS NOTED OTHERWISE .X ± .XX ± .XXX ± 90° FORMED +2° ANGLES 1°	DRAWN	庄逸	KEPO MODEL NO.	CUSTOMER													
	DESIGN		FT-20T-3.6A1	CUSTOMER NO.													
	CHECKED																
	APPROVED	徐金平	DWG NO.	<table border="1" style="width: 100%; border-collapse: collapse;"> <tr> <td style="width: 5%;">VER</td> <td style="width: 10%;">1.0</td> <td style="width: 10%;">SCALE</td> <td colspan="2"></td> </tr> <tr> <td>UNIT</td> <td>mm</td> <td>SHEET</td> <td colspan="2"></td> </tr> </table>				VER	1.0	SCALE			UNIT	mm	SHEET		
	VER	1.0	SCALE														
	UNIT	mm	SHEET														
	DATE	08.04.18	KP3.841.822.03	<table border="1" style="width: 100%; border-collapse: collapse;"> <tr> <td style="width: 50%; text-align: center;"> KEPO CO., LTD. </td> <td style="width: 50%;"> TEL: (+86)574-88370330 FAX: (+86)574-88370329 </td> </tr> </table>				KEPO CO., LTD.	TEL: (+86)574-88370330 FAX: (+86)574-88370329								
KEPO CO., LTD.	TEL: (+86)574-88370330 FAX: (+86)574-88370329																
CONTRACT NO.																	
FIRST ANGLE PROJECTION				AGENCY APPROVAL													