

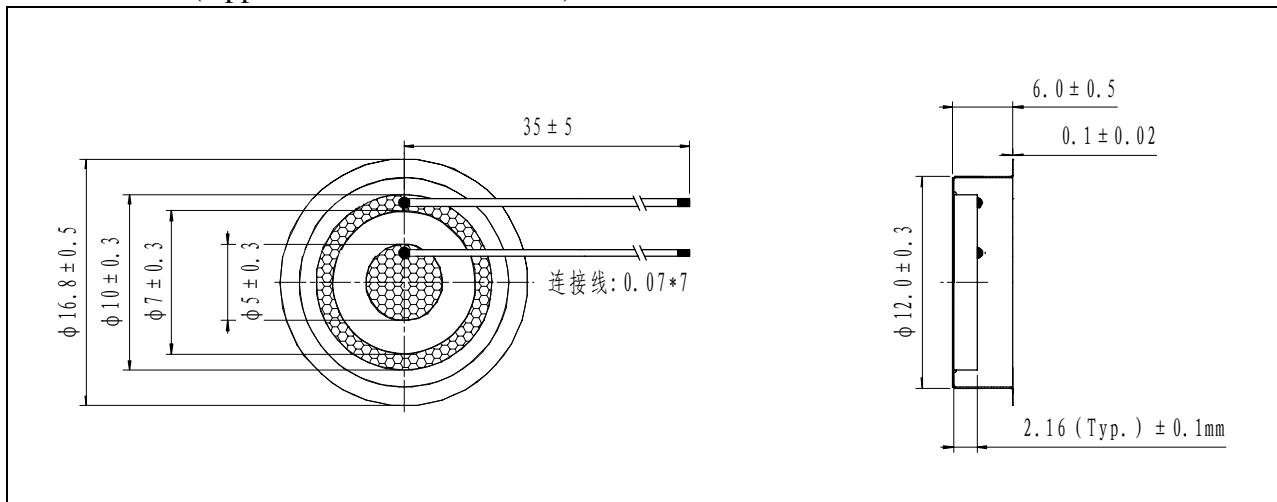
超 声 波 换 能 器

Ultrasonic Piezoelectric Transducer

1. 产品名称(Name): **HQ005**
2. 产品型号(Model): **AW5J10200AK4L97-01Z**
3. 性能参数(Electrical specification):

项目 Item	单位 Unit	标 准 Standard	测试条件(Test condition) T=25°C
谐振频率 (Fs) Resonant frequency	KHz	970 ± 20	HP4294A
谐振阻抗 (R) Resonant impedance	Ω	≤ 350	HP4294A
静电容量 (C ₀) Static capacitance	pF	370 ± 20%	数字电桥 At 1000Hz/1V Digital electric bridge At 1000Hz/1V
损耗 (tg δ) Loss	%	≤ 3.0	数字电桥 At 1000Hz/1V Digital electric bridge At 1000Hz/1V

4. 外观尺寸(Appearance and dimensions): 计量单位 Unit (mm)



注: 压电陶瓷体豁免含铅量, 其余材料符合 ROHS 要求 (Remark: The Pb in ceramic is exempt; other ingredients are all ROHS compliant)

制作/日期 Accomplished by/Date		校对/日期 Proofread by/Date		确认/日期 Approved by/Date	
----------------------------------	--	-------------------------------	--	------------------------------	--