



General Specifications

Motor Protection:

Auto Restart/Polarity Protection

Insulation Resistance: 10M Ω or over with a DC500V Megger

Dielectric Withstand Voltage: AC 700V 1s

Allowable Ambient Temperature Range:

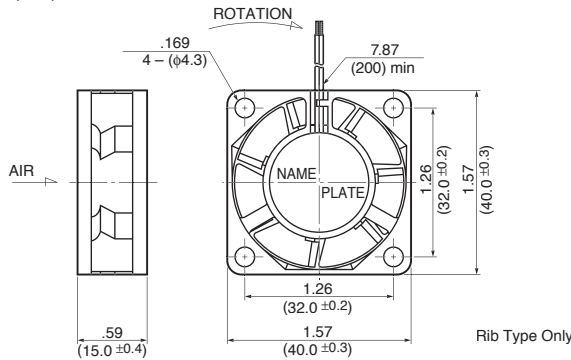
-10°C ~ +70°C (Operating)

-40°C ~ +70°C (Storage)

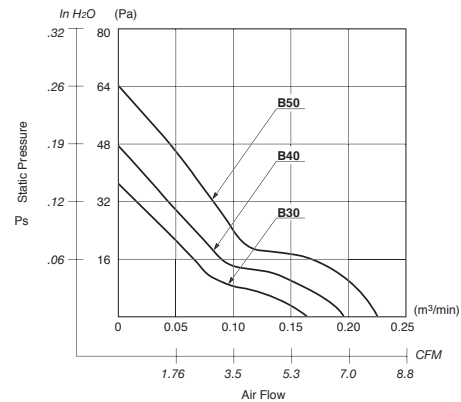
(non-condensing environment)

Outline

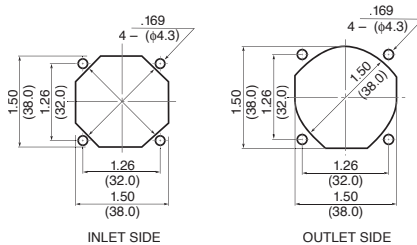
Units: $\frac{\text{inch}}{\text{mm}}$



Characteristic Curves



Panel Cut-outs



Material

Casing : Plastic (Black) 94V-0

Impeller : Plastic (Black) 94V-0

Bearing : Ball Bearing

Lead Wire: UL1061, AWG26, +Red, -Black

Specifications

MODEL	Product No.	Rated Voltage	Operating Voltage	Current	Input Power	Speed	Max. Air Flow		Max. Static Pressure		Noise	Mass
		(V)	(V)	(A) ^{*1}	(W) ^{*1}	(min ⁻¹) ^{*1}	CFM ^{*1}	(m ³ /min) ^{*1}	in H ₂ O	(Pa) ^{*1}	(dB) ^{*1}	(g)
1606KL-01W-B30-	X00	5	4.5 ~ 5.5	0.120	0.600	6000	6.0	0.17	.145	36.3	28.0	20
1606KL-01W-B40-	X00	5	4.5 ~ 5.5	0.150	0.750	7000	7.0	0.20	.188	47.1	31.0	20
1606KL-01W-B50-	X00	5	4.5 ~ 5.5	0.240	1.200	8000	8.1	0.23	.250	62.8	34.0	20
1606KL-04W-B30-	X00	12	10.2 ~ 13.8	0.067	0.804	6000	6.0	0.17	.145	36.3	28.0	20
1606KL-04W-B40-	X00	12	10.2 ~ 13.8	0.075	0.900	7000	7.0	0.20	.188	47.1	31.0	20
1606KL-04W-B50-	X00	12	10.2 ~ 13.8	0.085	1.020	8000	8.1	0.23	.250	62.8	34.0	20
1606KL-05W-B30-	X00	24	22.0 ~ 25.2	0.045	1.080	6000	6.0	0.17	.145	36.3	28.0	20
1606KL-05W-B40-	X00	24	22.0 ~ 25.2	0.054	1.296	7000	7.0	0.20	.188	47.1	31.0	20
1606KL-05W-B50-	X00	24	22.0 ~ 25.2	0.062	1.488	8000	8.1	0.23	.250	62.8	34.0	20

Rotation: Clockwise

Airflow Outlet: Air Out Over Struts

*1: Average Values in Free Air