



FSY27X05L(M)(H) FSY27X12L(M)(H)

Features

Size: 25×25×07mm(1.0×1.0×0.28in)

Frame/Impeller: Reinforced Plastic UL94V-0

Bearings: Ball Bearing&Sleeve Bearing

Life Expectancy:50,000 Hours at 20°C-Ball
30,000 Hours at 20°C-Sleeve

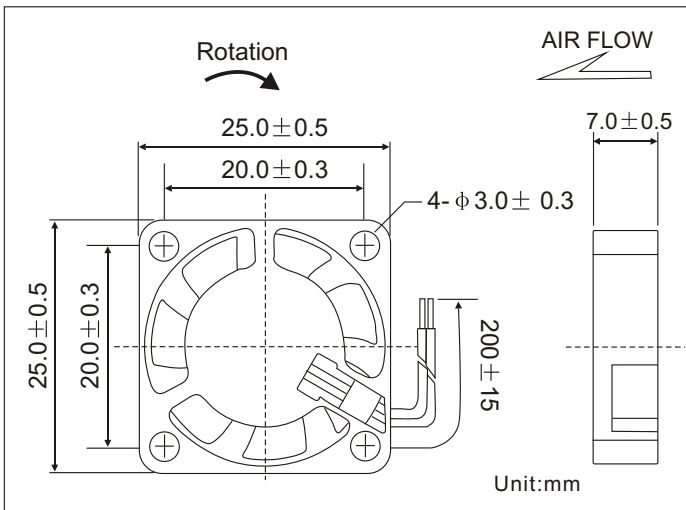
Approvals: UL CUL TUV CE RoHS

Weight: 6g

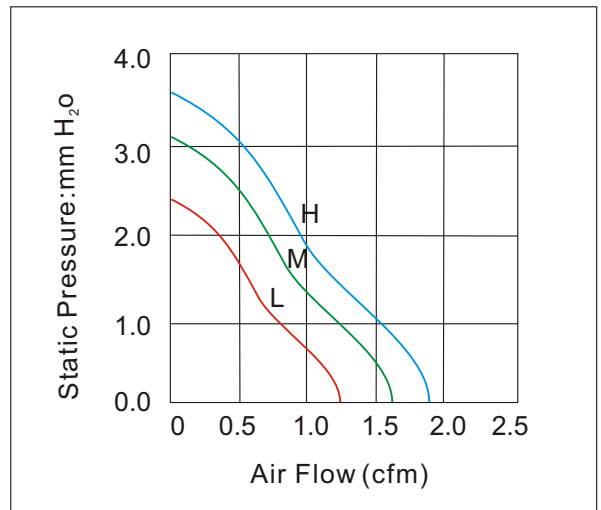


 E318377 CE TUV AE50078959

• RoHS Compliant



Air Flow vs Air Pressure



Performance

Model	Bearing System X			Rated Voltage (V)	Current (A)	Input Power (W)	Nominal Speed (R.P.M)	Air Flow (CFM)	Air Pressure (mm-H ₂ O)	Noise (dBA)
	S	B	D							
FSY27X05L	✓	✓	✓	5	0.10	0.50	8000	1.25	2.41	16
FSY27X05M	✓	✓	✓	5	0.12	0.60	10000	1.55	3.13	18
FSY27X05H	✓	✓	✓	5	0.15	0.75	12000	1.80	3.76	20
FSY27X12L	✓	✓	✓	12	0.08	0.96	8000	1.25	2.41	16
FSY27X12M	✓	✓	✓	12	0.10	1.20	10000	1.55	3.13	18
FSY27X12H	✓	✓	✓	12	0.12	1.44	12000	1.80	3.76	20

Product specification contained herein may be changed without prior notice.

It is therefore advisable to contact FONSONING ELECTRONICS before proceeding with the design of equipment incorporating this product.