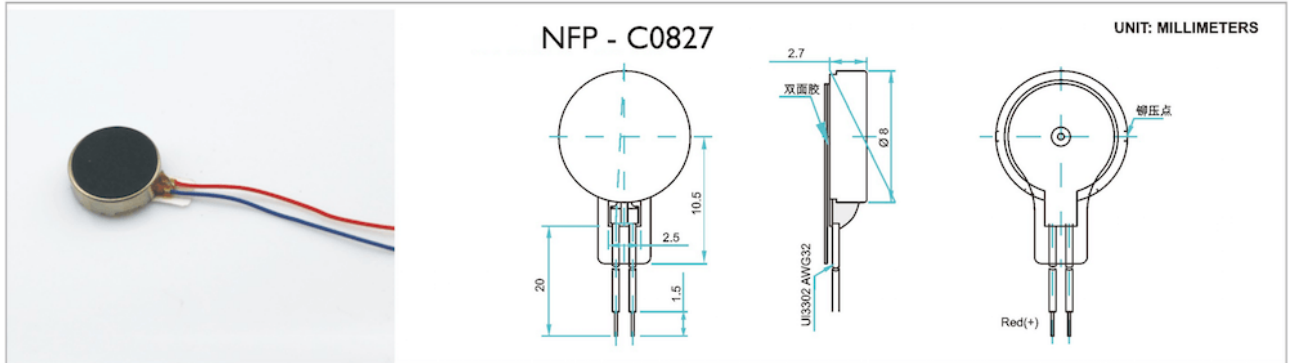


## Hot Sale Coin Vibration Motors DC 3V 8mm For Coin Motors Use For Cell Phone Mobile

A coin vibration motor may be used in applications such as smart watches, fitness trackers and other wearable devices. They are commonly used to provide the user with discrete alerts, alarms or haptic feedback. We can supply our vibration motor with a variety of connectors, spring contacts, FPC or with bare contact pads. We can also design a custom FPC for your application. If your application requires it, foam pads of varying thicknesses and/or double stick tape may also be added. 0827 coin type vibrating motors for mobile phone. Best Quality for 3.0V DC Micro Coin Vibration Motor (NFP-C0827) is widely used for Dental equipment, Beauty product, Mobile Phone, Cell Phone, Pager, Personal care, Health product equipment, Massager, Massage Rod, Eye Massager, Body Massager, Vibrator, etc.



Model: **NFP - C0827**  
DC mini vibration motor, **ERM** Motor  
Termination Style: **Wire Leads**  
Lead free / **RoHS Compliant**  
Operating Temperature: **-20°C ~ 70°C**  
Body Diameter: **8.0mm**  
Body Thickness: **2.7mm**  
Rated Voltage: **3.0V**  
Operating voltage: **2.7~3.3V**  
Max current: **100mA**  
Typical Rated Operating Current: **69mA**  
Rated Vibration Speed: **12,000rpm**  
Vibe Force: **0.75G**