

RK-370SD

OUTPUT: APPROX 0.5W-24W

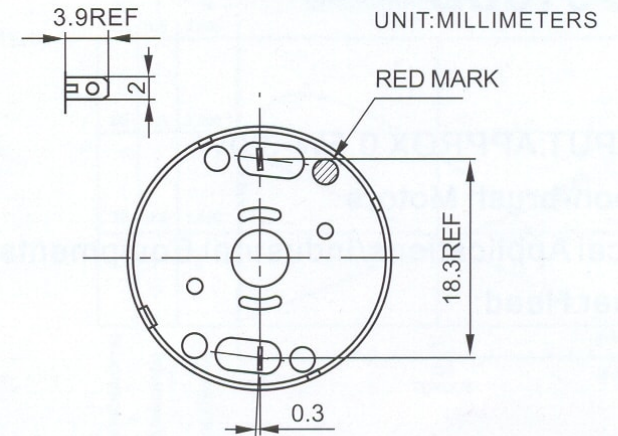
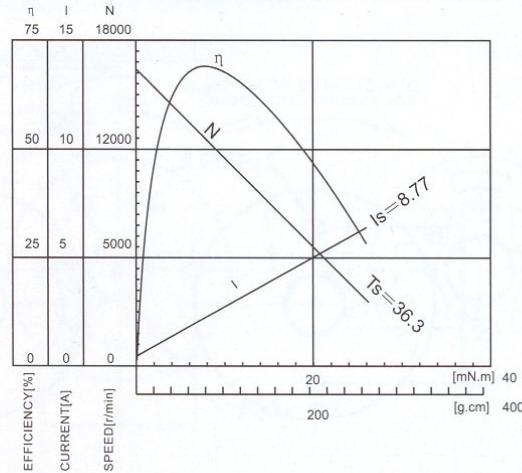
Carbon-brush Motors

Typical Applications/Toy, Model:

- Aviation Model

RK-370SD-2870 7.2V

WEIGHT: 51g (APPROX)



MODEL	VOLTAGE		NO LOAD		AT MAXIMUM EFFICIENCY				STARTING			
	OPERATING RANGE	NOMINAL	SPEED	CURRENT	SPEED	CURRENT	TORQUE	OUTPUT	TORQUE	CURRENT		
			r/min	A	r/min	A	mN.m	g.cm	W	mN.m	g.cm	A
RK-370SD-2870	4.5~9.6	7.2V	16500	0.34	13790	1.73	5.97	60.9	8.61	36.3	370	8.77