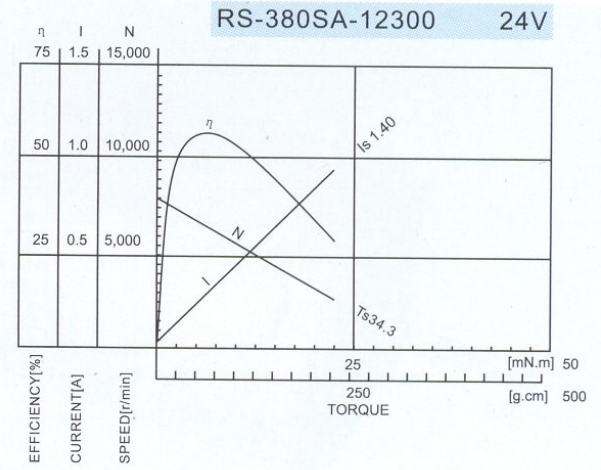


WEIGHT:62g(APPROX)



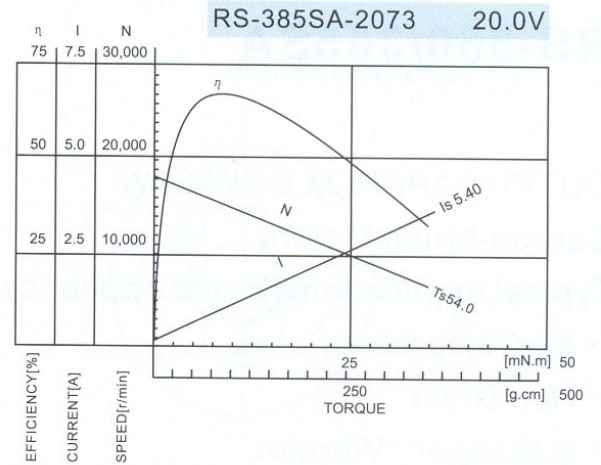
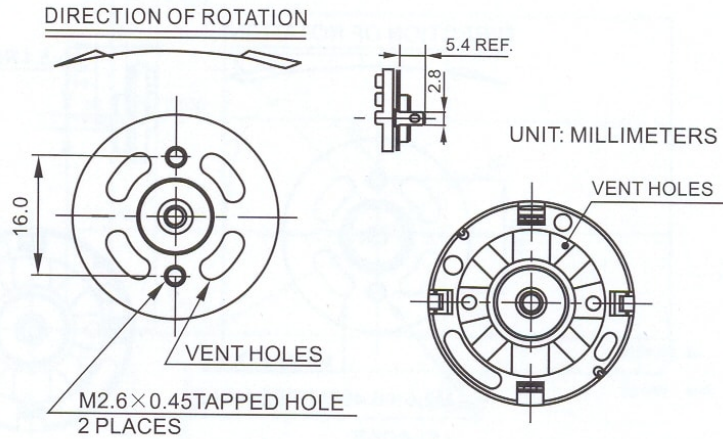
RS-380/385SA

OUTPUT: APPROX 0.9W-40W

Carbon-brush Motors

Typical Applications/Home Appliances:

- Hair Dryer



| MODEL | VOLTAGE | | NO LOAD | | AT MAXIMUM EFFICIENCY | | | | STARTING | | | |
|----------------|-----------------|---------|---------|---------|-----------------------|---------|--------|------|----------|--------|------|---------|
| | OPERATING RANGE | NOMINAL | SPEED | CURRENT | SPEED | CURRENT | TORQUE | | OUTPUT | TORQUE | | CURRENT |
| | | | r/min | A | r/min | A | mN.m | g.cm | W | mN.m | g.cm | A |
| RS-380SA-12300 | 12~30 | 24V | 8000 | 0.070 | 6540 | 0.31 | 6.27 | 63.9 | 4.29 | 34.3 | 350 | 1.40 |
| RS-385SA-2073 | 9~24 | 20V | 18300 | 0.21 | 15290 | 1.06 | 8.89 | 90.7 | 14.2 | 54.0 | 550 | 5.40 |