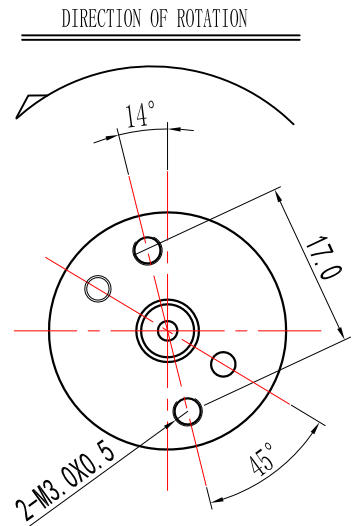
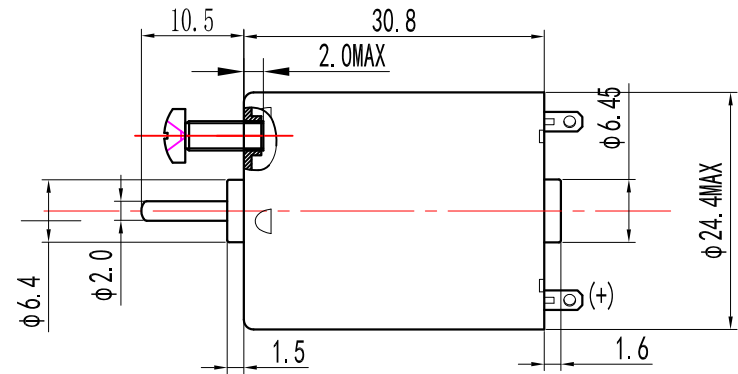
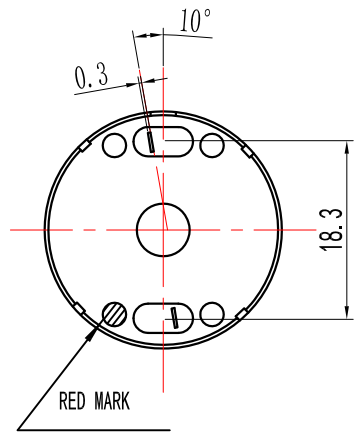


Model 型号	Voltage 电压		No load Speed 空载转速	No load Current 空载电流	Speed 转速	Current 电流	At load 负载	Stall Current 堵转电流	Stall Torque 堵转力矩
	Operating 使用范围	Rated Voltage 额定电压							
		V	r/min	A	r/min	A	g.cm	A	g.cm
RK-370CH-11670	9-15	12.0	3200	0.013	2600	0.067	18.0	0.35	112
RK-370CH-18260	6-24	24.0	7900	0.05	6800	0.32	33.0	2.0	240



Technical requirement

1. When the "+" terminal is connected to the positive pole of the power supply, the motor rotates in reverse, i.e. counterclockwise
2. Pay attention to magnetic field interference in the installation direction of motor;

						MICROMOTOR			RK-370CH-Series	
标记	页数	分区	更改文件号	签名	年、月、日					
设计			标准化						1.5:1	
审核										
工艺			批准			共 张 第 张				
									THINKFULMOTOR	