



广州市番禺奥迪威电子有限公司
 Audiowell Electronics (Guangzhou) Co., Ltd.
 地址: 中国广东省广州市番禺区迎宾路东升工业区 邮政编码: 511400
 Add: Dongsheng Industrial Park, Yingbin Road, Panyu, Guangzhou 511400, China
 Tel: +86-20-84802041 84802405 84871596 34516785 Fax: 84665207



承 认 书

SPECIFICATION FOR APPROVAL

客户 CUSTOMER			
客户料号 CUST P /N			
名称 NAME		型 号 MODEL	
版本 Ver.		日期 DATE	

客户签认 CUSTOMER APPROVAL	承认 APPD.	承认章 COMPANY CHOP

出图 DRAWING	制作 DWN.	审核 CHK.	核准 APPD.

注: 承认书一式两份, 请返回一份 PLEASE SENT ONE OF THE SAME TWO BACK

广州市番禺奥迪威电子有限公司

AUDIOWELL ELECTRONICS (GUANGZHOU) CO.LTD

广州番禺市桥镇迎宾路东升工业区

DONG SHENG INDUSTRIAL PARK, YINGBIN ROAD,

PANYU, GUANGZHOU, CHINA

TEL: (020) 84871596 FAX: (020) 84665207

Http: www.audiowell.com

Contents

- **1.Product Name and Part No.**
- **2.Apperance and Dimensions**
- **3.Electrical Specifications**
- **4.Mechanical, Environment and Life Features**
- **5.Suggestions and Notes for Installation**

MULTILAYER PIEZO CERAMIC SPEAKER SPECIFICATIONS

■1.Product Name and Part No: HQ0028-000-AW5Y50HJ001L216Z

Product Features:

Low energy consumption: $\leq 0.1W$

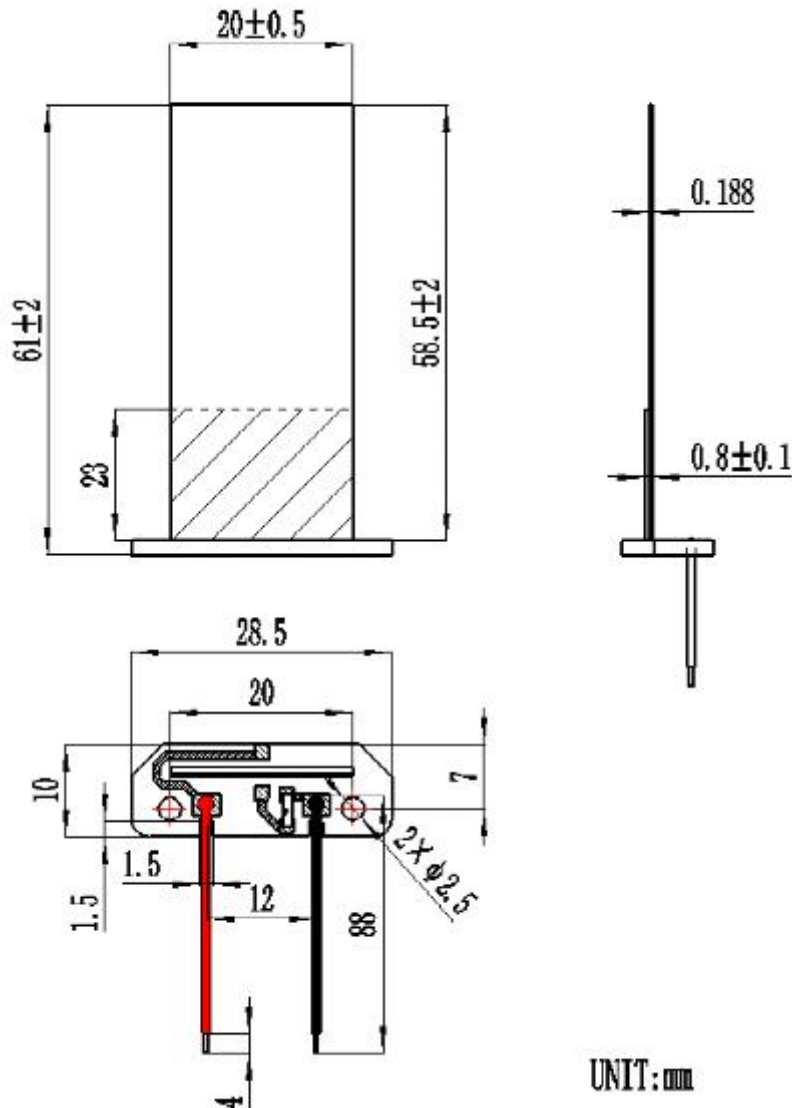
Simple structure which can be easily installed in narrow space

No noise will be produced when working

The fan won't cause any electromagnetic interference to surrounding electronic devices and has strong ability of anti-electromagnetic interference.



■ 2. Appearance and Dimensions



MULTILAYER PIEZO CERAMIC SPEAKER SPECIFICATIONS

3. Electrical Specifications

No.	Items	Unit	Specifications	Test Conditions
1	Amplitude	mm	12±3	At 110V/50Hz
2	Static Electric Capacity (C)	nF	15±20%	Digital electric bridge (120Hz/1V/25°C, without impedance)
3	Operating Frequency	Hz	50	-----
4	Operating Voltage (AC)	V	110±25	-----
5	Max. Operating Voltage (AC)	V	150	-----
6	Operating Temp.	°C	-20 ~ +80	-----
7	Storage Temp.	°C	-30 ~ +85	-----

Note: RoHS applied, pb exempted

■ 4. Mechanical, Environment and Life Characteristics:

No.	Items	Test Conditions	Test Standard
1	Shock Test	Room Temp. Sweep Fre.. 10—55Hz Amplitude 1.5mm/XYZ axis/2Hrs	Initial average amplitude changes ±3mm.
2	Drop Test	150cm Fixed in a 150g Jig, testing 6 surfaces by dropping for 3 times per surface at the height of 150cm.	
3	Salt Test	Based on normal standard: Liquid concentration : 5ml±0.1%, Temp.: +35°C±2°C, Time: 36Hrs	The Amplitude changes ±3mm after 2 hrs in room temp.
4	Storage Under High Temp.	85±2°C/96Hours, then 4Hrs under room temp.	Initial average amplitude changes ±3mm.

MULTILAYER PIEZO CERAMIC SPEAKER SPECIFICATIONS

5	Storage Under Low Temp.	-40±2°C /96Hrs , then 4Hrs under room temp.
6	Storage under High Temp. & Humid	+60±2°C /RH90—95%/96Hrs , then 4Hrs under room temp.
7	High Temp. & Humid with Power on.	+60±2°C /RH90—95%/96Hrs/110VAC/50Hz, then 4Hrs under room temp.
8	Max. Voltage Test	Input 150VAC/50Hz/0.5 under room temp.,the voltage be set as the max. in specs., then 4Hrs under room temp.
9	Life Test	Input 110VAC/50Hz and work for 240Hrs consistently, then 4Hrs under room temp.

■ 5. Suggestions and notes for installation :

5.1 Avoid the looseness and resonance when installing. For example, the fan itself or the components around are not tight enough;

5.2 Make sure the distance between fan sleeves and other components is at least 2mm so as not to touch the sleeves when installing other parts and to keep the max. Amplitude;

5.3 Don't press the vibrate parts of the fan strongly on the vertical direction when installing.