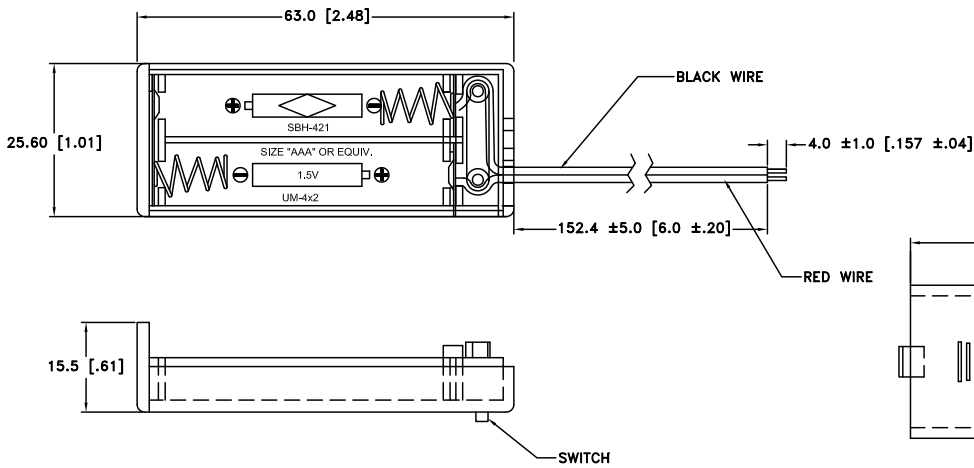
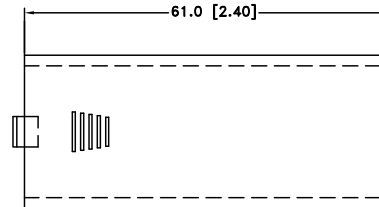


Date	SYM	REVISION RECORD	AUTH	DR.	CK.
04/15/11	A	Updated Title	T.B.	B.S.	




BOTTOM-HOUSING



TOP COVER

NOTES:

1. ITEM NO. SBH-421AS
2. MATERIAL:
 HOUSING AND COVER: BLACK ABS
 WIRE: UL1007, AWG #26, BLACK AND RED-152.4mm LONG,
 STRIPPED AND TINNED- 5mm LONG
 SPRING: 0.5mm, 65C, SPRING WIRE

Tolerance (Except as noted)	 Memory Protection Devices, Inc 200 Broad Hollow Road, Farmingdale, New York 11735		
decimal ± .5 (.020)		Scale	Drawn By B.S. Approved By T.B.
Fractional ± .8 (.030)	Title 2 CELL "AAA" HOLDER WITH COVER AND SWITCH		
Angular ± 3°	Date 04/15/11	Drawing Number SBH-421AS	