

## Battery holder for coin-type Lithium Battery

### BH1001(ForCR/LIR2477,2450,2430)

- \*The battery is solidly anchored in the holder
- \*Battery can be charged very easily and you are assured of reliable firm contact
- \*There is no battery damage from short circuiting or soldering.
- \*BH1001 battery holder for CR and LIR series 2430 to 2450,2477.

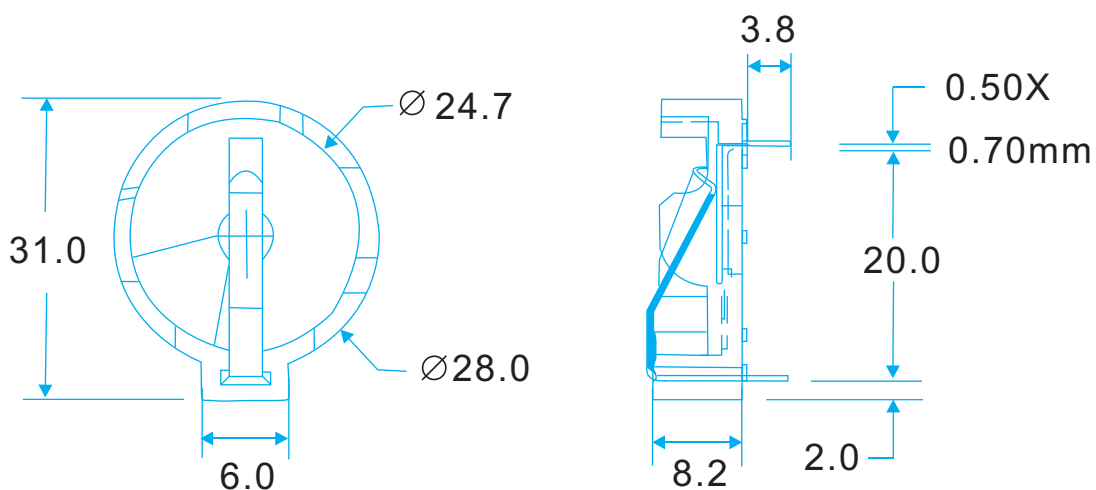
**CONTACT:**  
0.5mm PHOSPHOR BRONZE ALLOY W/TIN PLATED

**CONTACT LOADING:**  
3 AMP

**COLOUR:**  
BLACK

**OPERATION TEMP:**  
-55°C+125°C

**DURABILITY:**  
50 CYCLES (SAME TYPE)



Specifications subject to change without notice

# Battery holder for coin-type Lithium Battery

## BH800 (For CR/LIR 2032,2025,2016)

\*The battery is solidly anchored in the holder

\*Battery can be charged very easily and you are assured of reliable firm contact

\*There is no battery damage from short circuiting or soldering.

\*BH800 battery holder for CR and LIR series 2032 to 2025,2016.

**CONTACT:**

0.5mm PHOSPHOR BRONZE ALLOY W/TIN PLATED

**CONTACT LOADING:**

3 AMP

**COLOUR:**

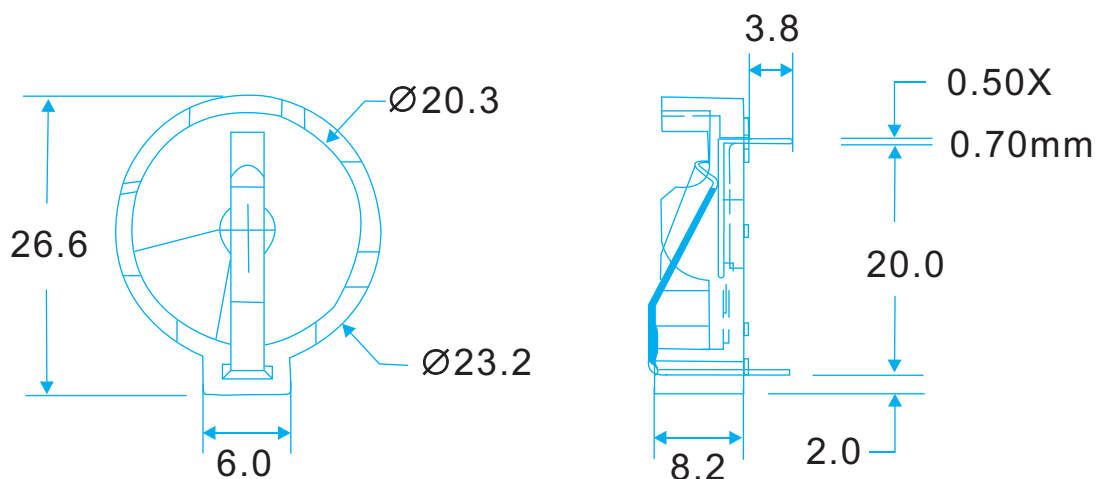
BLACK

**OPERATION TEMP:**

-55°C+125°C

**DURABILITY:**

50 CYCLES (SAME TYPE)



Specifications subject to change without notice

# Battery holder for coin-type Lithium Battery

## BH810(For CR/LIR2032,2025,2016)

- \*The battery is solidly anchored in the holder
- \*Battery can be charged very easily and you are assured of reliable firm contact
- \*There is no battery damage from short circuiting or soldering.
- \*BH810 battery holder for CR and LIR series 2032 to 2025,2016.

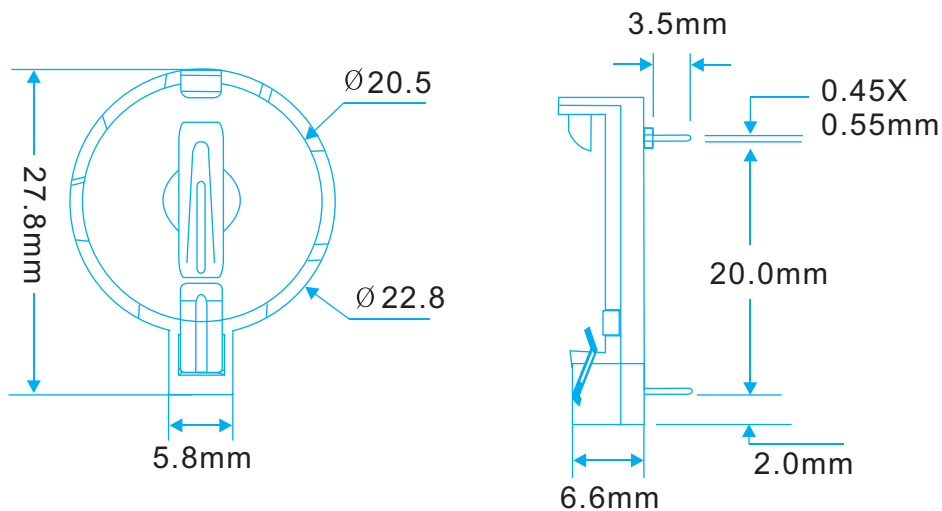
**CONTACT:**  
0.5mm PHOSPHOR BRONZE ALLOY W/TIN PLATED

**CONTACT LOADING:**  
3 AMP

**COLOUR:**  
BLACK

**OPERATION TEMP:**  
-55°C+125°C

**DURABILITY:**  
50 CYCLES PLUG-IN-OUT (SAME TYPE)



Specifications subject to change without notice

## Battery holder for coin-type Lithium Battery

### BH820(For CR/LIR2032,2025,2016)

- \*The battery is solidly anchored in the holder
- \*Battery can be charged very easily and you are assured of reliable firm contact
- \*There is no battery damage from short circuiting or soldering.
- \*BH820 battery holder for CR and LIR series 2032 to 2025,2016.

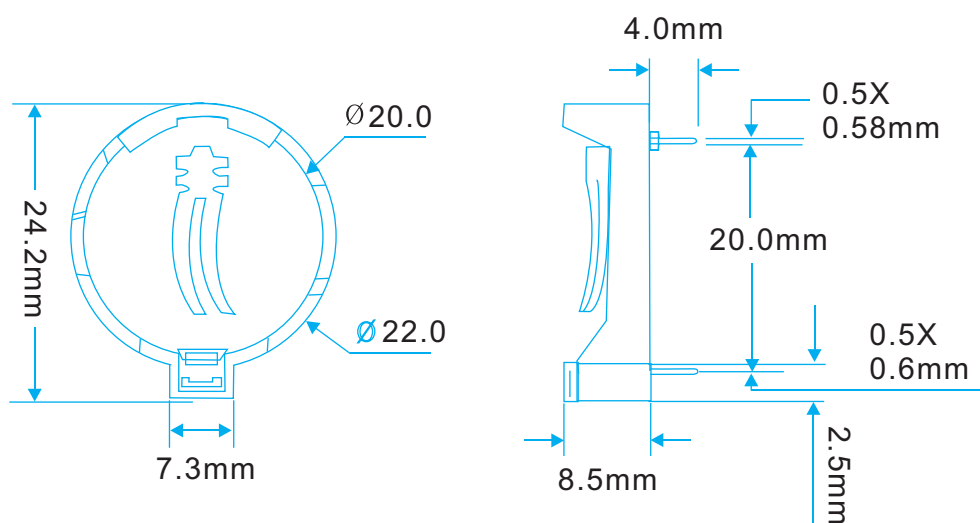
**CONTACT:**  
0.5mm PHOSPHOR BRONZE ALLOY W/TIN PLATED

**CONTACT LOADING:**  
3 AMP

**COLOUR:**  
BLACK

**OPERATION TEMP:**  
-55°C+125°C

**DURABILITY:**  
50 CYCLES PLUG-IN-OUT (SAME TYPE)



Specifications subject to change without notice

# Battery holder for coin-type Lithium Battery

## BH840(For CR/LIR2032,2025,2016)

- \*The battery is solidly anchored in the holder
- \*Battery can be charged very easily and you are assured of reliable firm contact
- \*There is no battery damage from short circuiting or soldering.
- \*BH840 battery holder for CR and LIR series 2032 to 2025,2016.

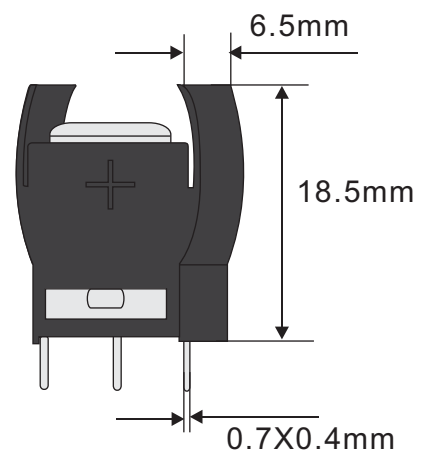
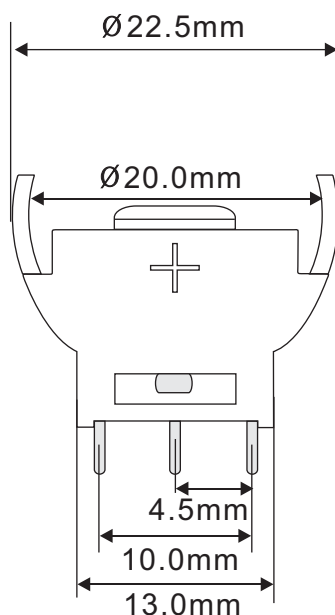
**CONTACT:**  
0.5mm PHOSPHOR BRONZE ALLOY W/TIN PLATED

**CONTACT LOADING:**  
3 AMP

**COLOUR:**  
BLACK

**OPERATION TEMP:**  
-55°C+125°C

**DURABILITY:**  
50 CYCLES PLUG-IN-OUT (SAME TYPE)



Specifications subject to change without notice

## Battery holder for coin-type Lithium Battery

### BH500(ForLIR/CR1216,1220,1225)

\*The battery is solidly anchored in the holder

\*Battery can be charged very easily and you are assured of reliable firm contact

\*The is no battery damage from short circuiting or soldering.

\*BH500 battery holder for CR and LIR series1216 to 1220,1225.

**CONTACT:**

0.2mm PHOSPHOR BRONZE ALLOY W/TIN PLATED

**CONTACT LOADING:**

3 AMP

**COLOUR:**

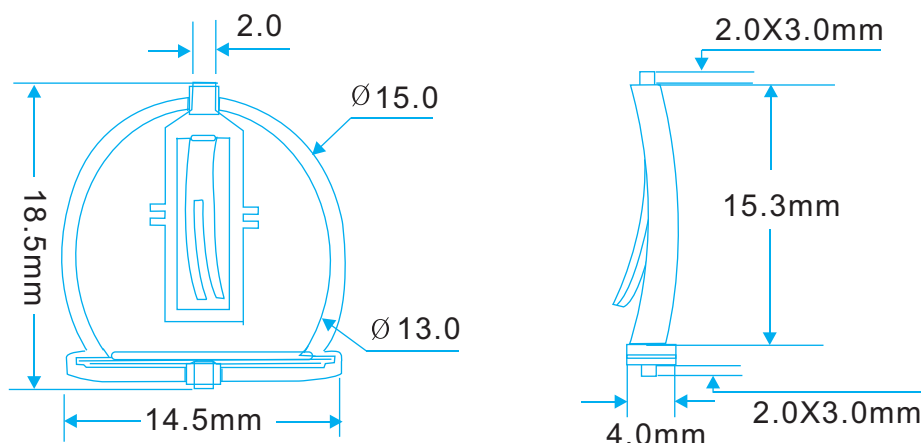
BROWN

**OPERATION TAMP:**

-55°C+105°C

**DURABILITY:**

50 CYCLES PLUG-IN-OUT (SAME TYPE)



Specifications subject to change without notice