

Coin Cell Holders

KLS5-CR1220-01 CR1220 Coin Battery Holder

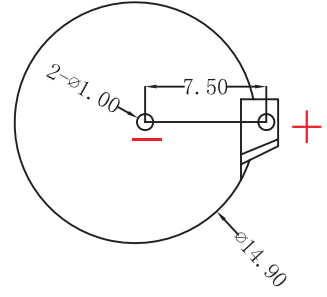
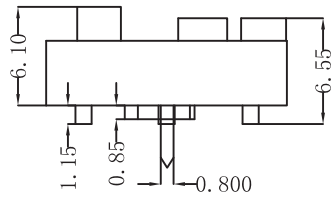
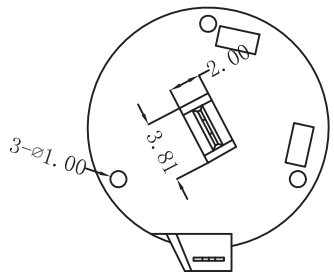
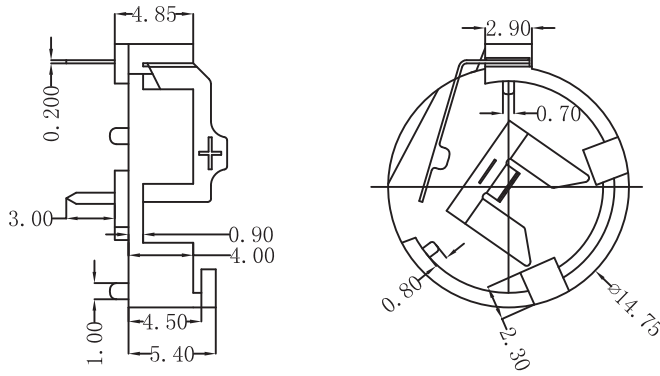
I

Material:

Housing: PBT
Contacts: Phosphor Bronze, Tinning

Electrical Characteristics:

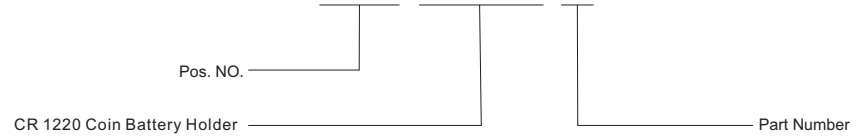
Insulator Resistance: 1000M Ohm min.
Contact Resistance: 30m Ohm max.
Dielectric voltage: 500V AC
Operating Temperature: -25°C~+85°C



PCB Layout Diagram
Top View

ORDER INFORMATION

Product NO.: KLS5-CR1220-01



All specification & dimensions are subject to change, please call your nearest KLS sales representative for update information