

Battery holder for coin-type Lithium Battery

BH810(For CR/LIR2032,2025,2016)

*The battery is solidly anchored in the holder

*Battery can be charged very easily and you are assured of reliable firm contact

*There is no battery damage from short circuiting or soldering.

*BH810 battery holder for CR and LIR series 2032 to 2025,2016.

CONTACT:

0.5mm PHOSPHOR BRONZE ALLOY W/TIN PLATED

CONTACT LOADING:

3 AMP

COLOUR:

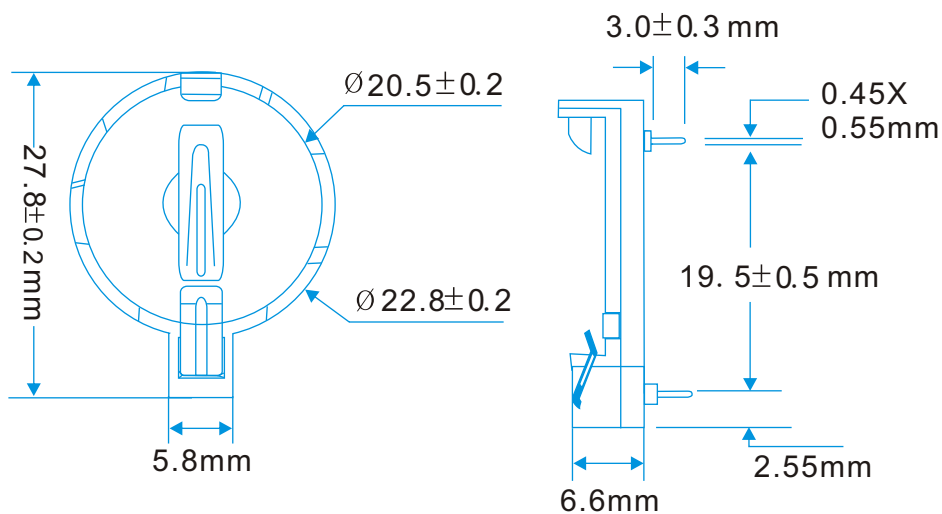
BLACK

OPERATION TEMP:

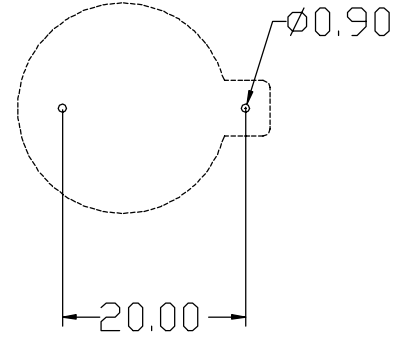
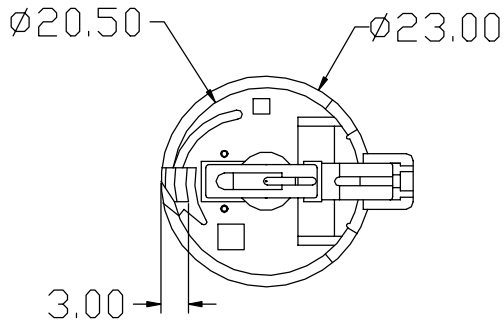
-55°C+125°C

DURABILITY:

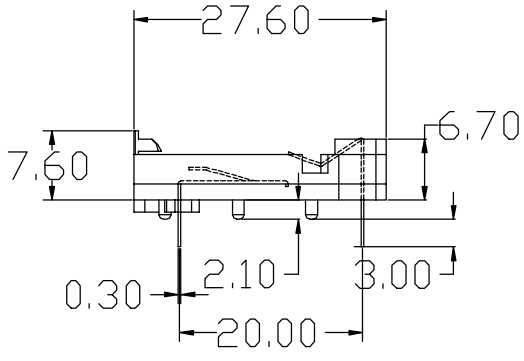
50 CYCLES PLUG-IN-OUT (SAME TYPE)



Specifications subject to change without notice



PCB HOLE LAYOUT



NOTE:
 1.MATERIAL:
 a.HOUSING:PA BK V0 GF30.15
 b.CONTACT:C2680
 (SURFACE PLATING:Sn 10u")
 2.ELECTRIC:
 a.CONTACT RESISTANCE:30 MILLIOHMS MAX
 b.INSULATION RESISTANCE: 1000 MEGA OHMS MIN
 c.DIELECTNIC VOLTAGE: 500V AC ONE SEC LEVEL
 d.OPERATING TEMPERATURE: -55°C TO 105°C

00000000	00000	0000	BATTERY HOLDER: CR2032-4-1				
0	50	0.2	CUSTOMER:			DATE:	
50	120	0.25	PART NO:	MAT'L:	APPD:		
120	250	0.3	DWG NO:	Q'TY:	CHKD:		
250	400	0.35	KODEL NO:	FINISH:	DRAW:	UNIT:	MM
400	650	0.5					