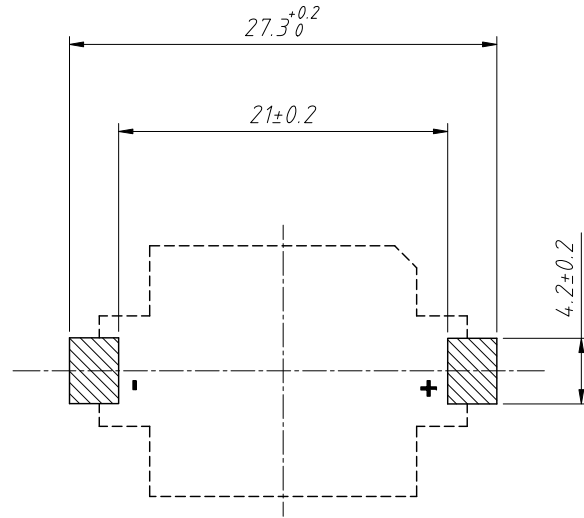
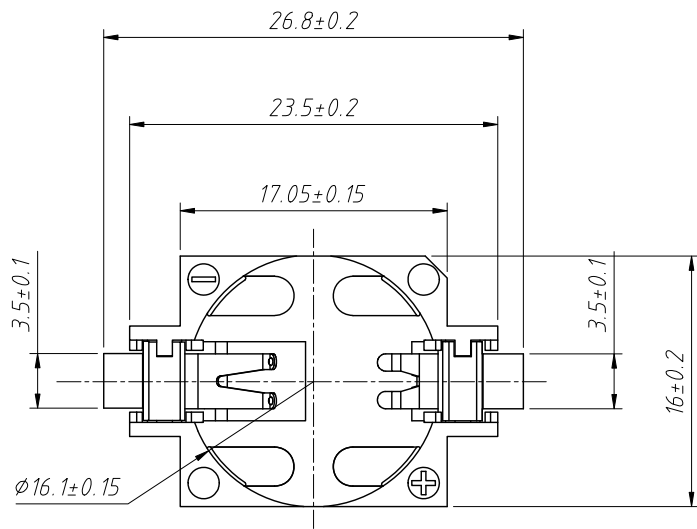


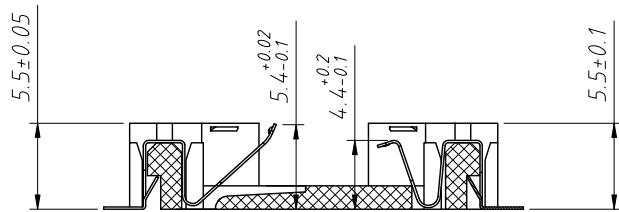
RoHS Compliance



PCB Layout Diagram  
Top View

Material:  
Housing: LCP+30%GF, UL94V-0, White  
Contact: Phosphor bronze  
Surface Plating: SN 100U"

Electrical Characteristics:  
Contact Resistance: 30mΩ Max  
Insulator Resistance: 100MΩ Min  
Dielectric Voltage: 500V AC One Sec Level  
Operating Temperature: -25°C ~ +85°C



Order Information:

L-KLS5-CR1632-01-P

L: RoHS

CR1632 Coin

Cell Retainers

Part Number

Packing:

T=Tape P=Blister

ANGLE TOLERANCE	PROJECTION	Description:	CR1632 SMD COIN CELL RETAINERS, H5.50mm, Tin plated
±3°			
GENERAL TOLERANCE	UNITS	mm	KLS P/N: L-KLS5-CR1632-01-P
x.x ±0.30	SHEET SIZE	A4	
x.xx ±0.20	Draw:	Daniel	2022-03-01
x.xxx ±0.10	Check:	Daniel	2022-03-01



NingBo KLS ELECTRONIC CO.,LTD.