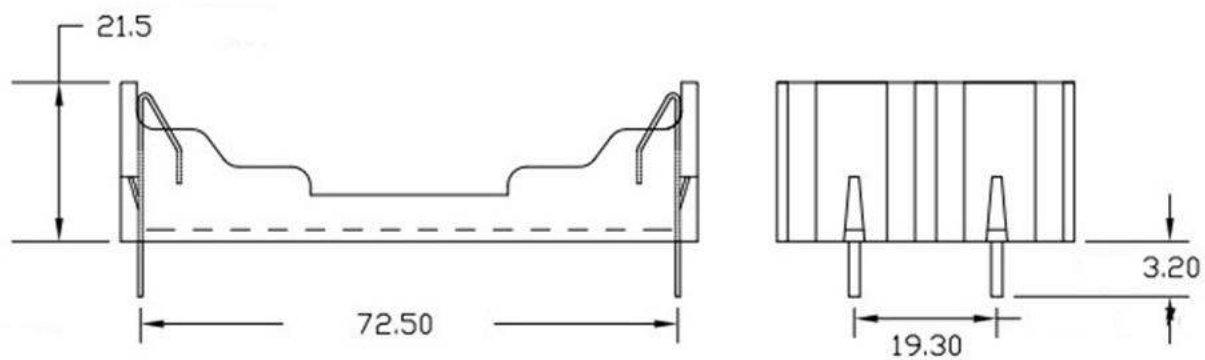
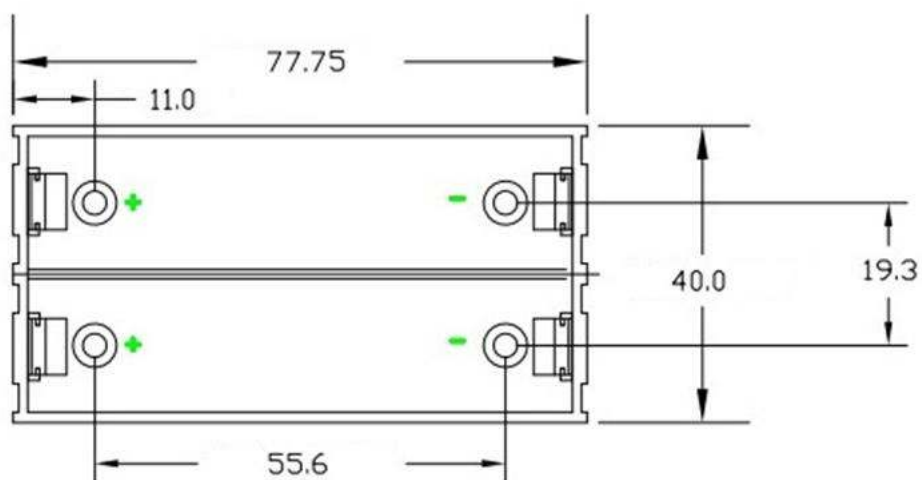


БАТАРЕЙНЫЙ ОТСЕК 18650



NOTES:

Material: Self-extinguishing Thermoplastic Polyester, color black

Temperature Range: -40°C to +180°C

Contacts: 302 Stainless Steel Spring Temper, Nickel Plated

Flammability Rating: UL 94V-0

Dielectric Strength: 560 Volts/Mil. at 25°C for 5 Sec.

Resistance to Solvents: Xylene, ethyl, butyl, methyl & toluene

Weight: 19.55g.

ROHS 2 COMPLIANT