

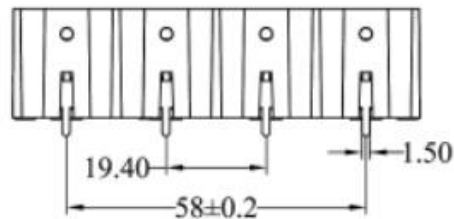
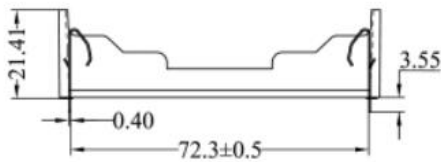
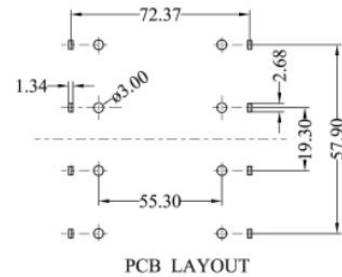
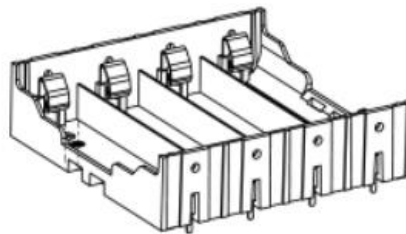
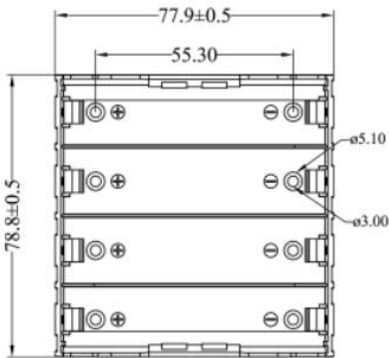


Battery Holders

KLS5-18650-004

NOTE:

- 1.Type:PC Pins
- 2.Base Material:ABS Resin,Black Color
- 3.Contacts:304 Stainless Steel Spring Temper,Nickel Plated
- 4.Flammability Rating:UL94HB or Custom Made
- 5.Oouput:3.7V DC
- 6.Weight:35.50g
- 7.RoHS COMPLIANT



ORDER INFORMATION

Product NO.: KLS5- 18650 - 004- D

Pos. NO.
18650 Battery Holder Case Box

TYPE:
A:With Soldered Lug
B:With wire L=15cm or other
C:With 6 prong snap
D: With PC Pins