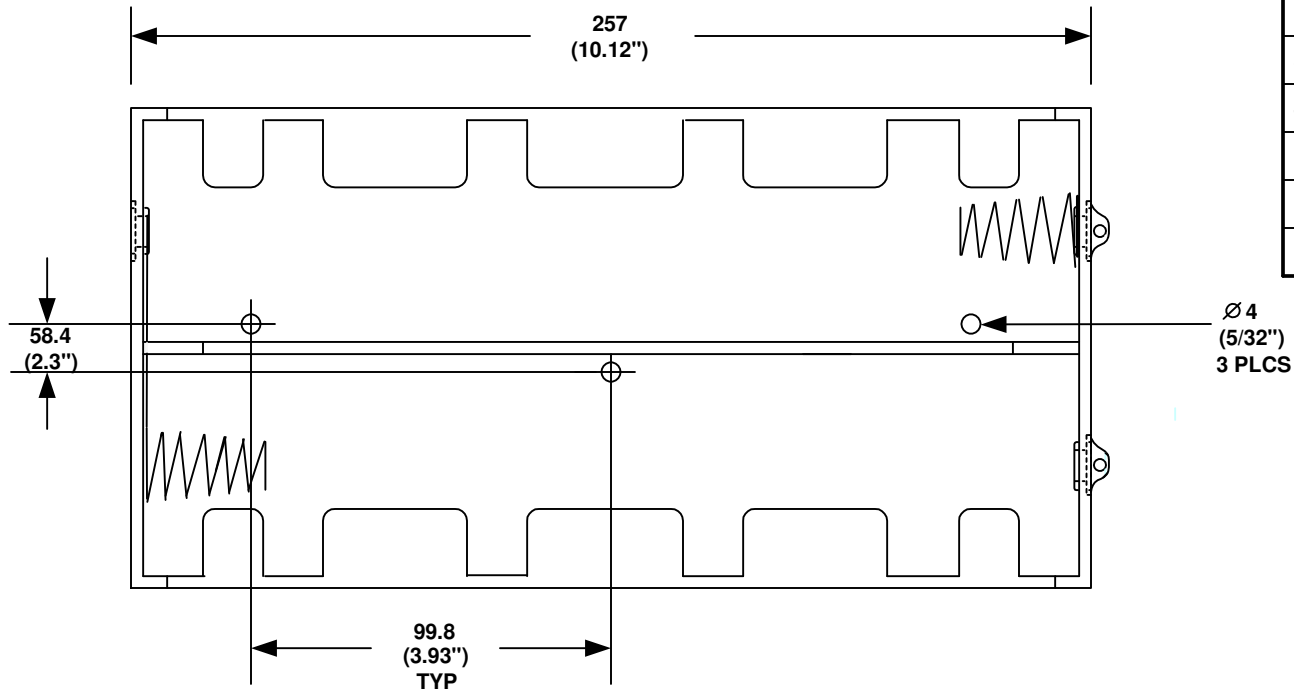
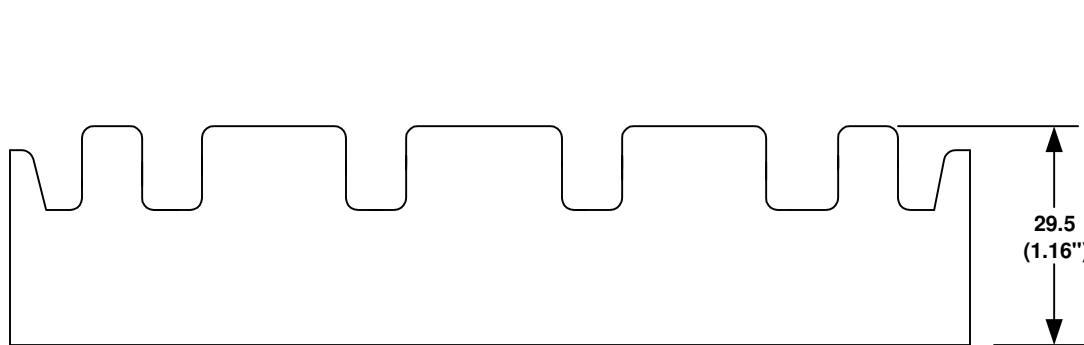


DATE	SYM	REVISION RECORD	AUTH	DR.	CK.
8/30/03	A	99.8(3.93") was 99.1(3.90")	T.B.	B.S.	
4/15/06	B	ADDED "ROHS COMPLIANT" UPDATED MATERIAL NOTE	T.B.	B.S.	

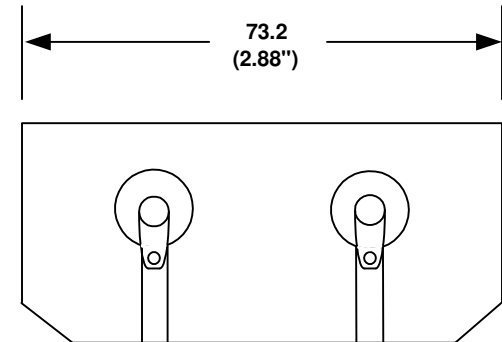


ORDERING CODE BH28D

SOLDER LUGS	= L
(6") WIRE LEADS	= W
9VOLT TYPE SNAPS	= SF
BUMP PLATES	= B




SOLDER LUGS SHOWN ABOVE



**SPECIFICATIONS:**

Plastic material - polypropylene, PP-1040  
 Flammability rating-UL94 HB, UL file no. E216959  
 Temperature Range: -10°C to +100°C  
 Springs - nickel plated spring steel Wire - 152.4 mm Long 26 AWG,  
 UL1007, CSA - TR-64, 300V, 80 C.  
 Rivets - Brass, nickel plated  
 9 Volts Snaps - Brass, nickel plated  
 Contact resistance: Under 50m Ω for +/- contacts per EIA-540J000  
 ROHS COMPLAINT

**Note:** Dimensions in mm. ( inches )

TOLERANCES (EXCEPT AS NOTED)		 <b>Memory Protection Devices, Inc.</b> 200 Broad Hollow Road, Farmingdale, New York 11735	
DECIMAL		SCALE	DRAWN BY S.C.
+ .5 (.020")		-----	APPROVED BY
FRACTIONAL	TITLE	EIGHT "D" CELL HOLDER	
+ .8 (.030")			
ANGULAR	DATE	DRAWING NUMBER	
+ 3°	4/15/2006	BH28DL	