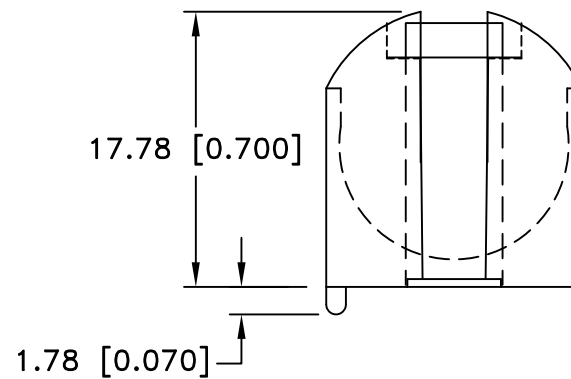
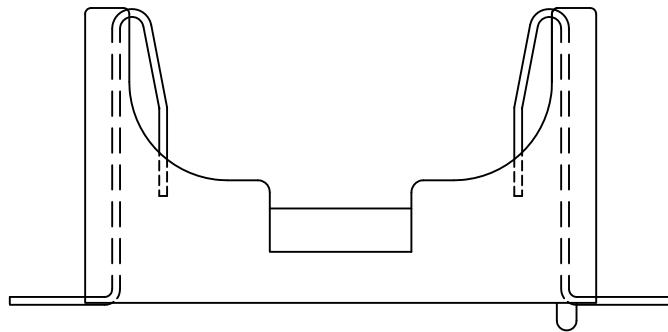
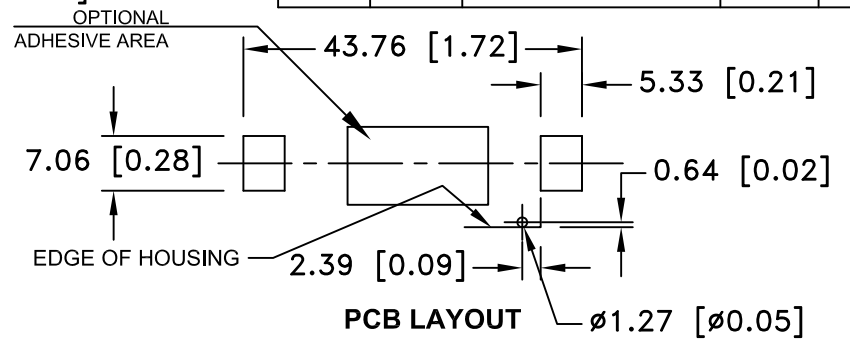
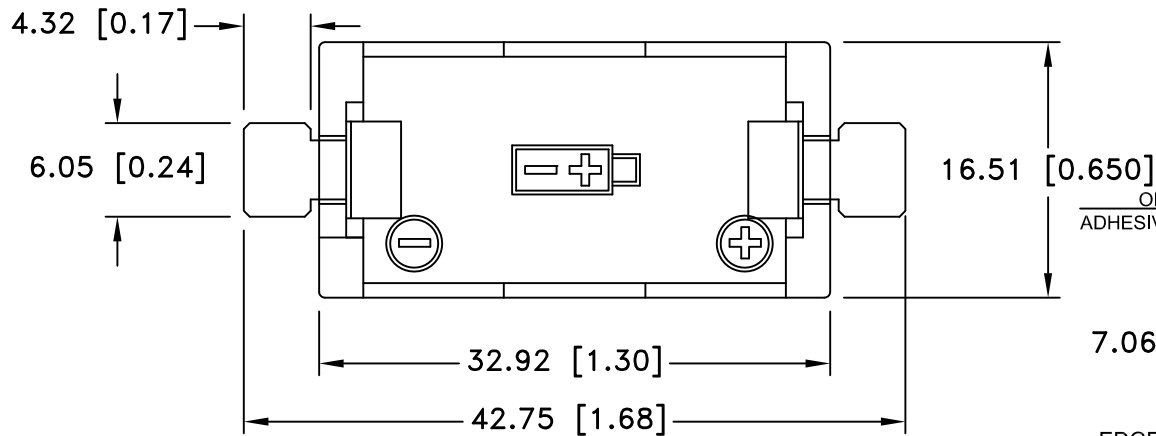


Date	SYM	REVISION RECORD	AUTH	DR.	CK.
5/22/09	A	ADDED TEST RESULTS	T.B.	B.S.	
9/04/09	B	ADDED PIN LOCATION	T.B.	B.S.	
7/17/17	C	UPDATED PCB LAYOUT	T.B.	B.S.	



SPECIFICATIONS:

HOLDER MATERIAL: NYLON 46, 30% GLASS REINFORCED

FLAMMABILITY RATING:UL94-HB, FILE #E47960

CONTACTS: 301 SPRING TEMPER STAINLESS STEEL,
GOLD FLASH 1u -3u

TEMPERATURE RANGE: -40°C TO +270°C

* VIBRATION TEST: 10-50-10 HZ SWEEPED IN 60 SECONDS
X,Y,Z DIRECTION: 1 HOUR EACH DIRECTION

* RESULT: NO DISLODGE MENT OF THE CELL OR DAMAGE
NO DISCONTINUITY OVER 10 MICRO-SECONDS


* SHOCK TEST: HALF SINE WAVE ACCELERATION 150G, 6 MICRO-SECONDS
3 SHOCK PULSES EACH DIRECTION PER AXIS, TOTAL OF 18 PULSES

* RESULT: NO EVIDENCE OF PHYSICAL DAMAGE

* DROP TEST: DROPPED FROM 1M HIGH TO CONCRETE FLOOR

* RESULT: NO EVIDENCE OF PHYSICAL DAMAGE

ROHS 2 COMPLIANT

Tolerance (Except as noted)	 Memory Protection Devices, Inc 200 Broad Hollow Road, Farmingdale, New York 11735		
	decimal ±.5 (.020)	Scale	Drawn By B.S. Approved By T.B.
Fractional ± .8 (.030)	Title 1/2AA BATTERY HOLDER, PCB MOUNTING		
Angular ± 3°	Date 07/17/17	Drawing Number BH1/2AA-SM	