

Coin Cell Holders

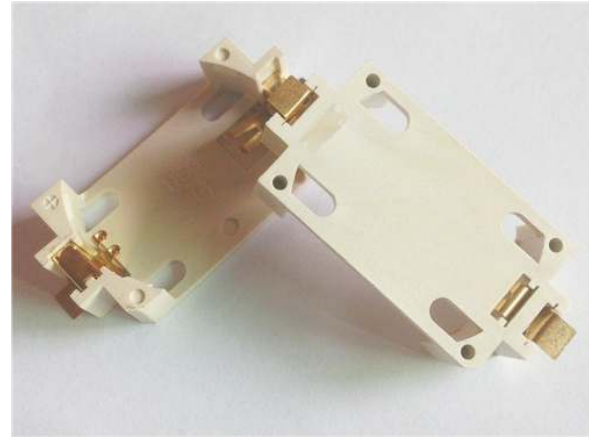
KLS5-CR2450-02 SMT,CR2450 Coin Battery Holder

Material:

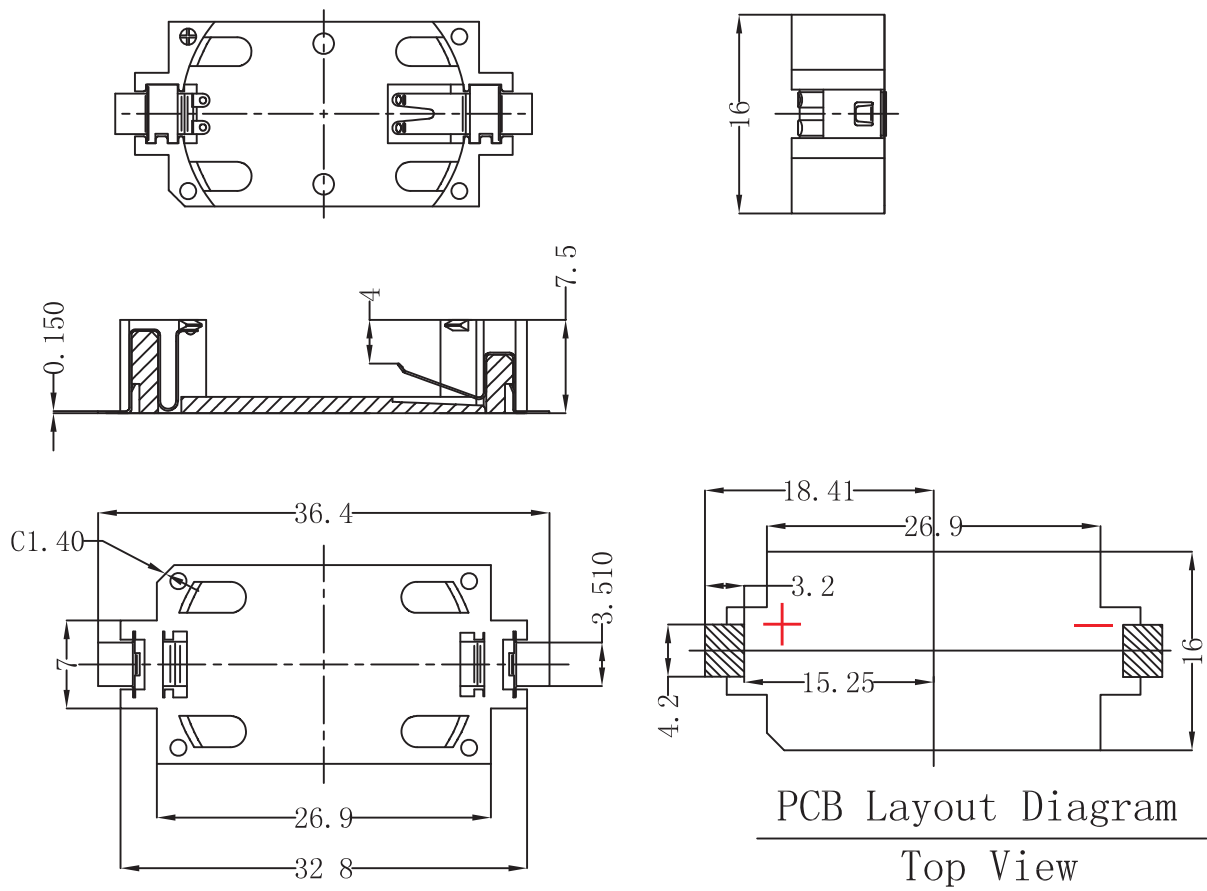
Housing: LCP
Contacts: Copper plating 1u"

Electrical Characteristics:

Insulator Resistance: 1000M Ohm min.
Contact Resistance: 30m Ohm max.
Dielectric voltage: 500V AC
Operating Temperature: -25°C~+8°C

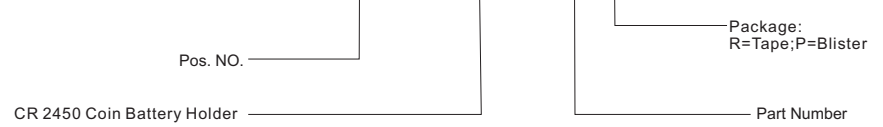


I



ORDER INFORMATION

Product NO.: KLS5-CR2450-02-R



All specification & dimensions are subject to change, please call your nearest KLS sales representative for update information