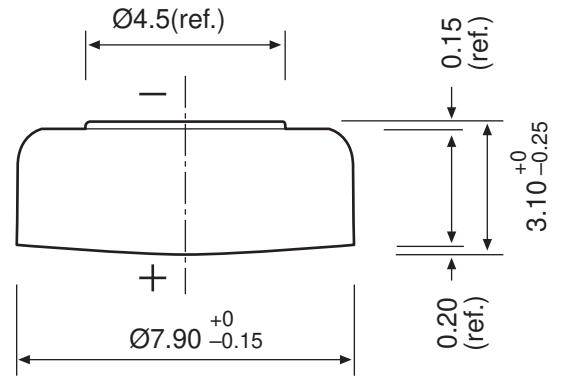


GP Batteries

Data Sheet

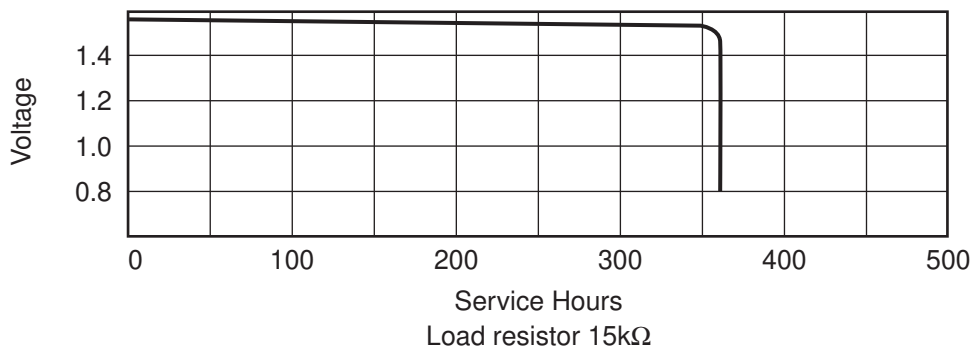
Model No.: GP329

Description : Silver Oxide Low Drain Button Cell
 Nominal Voltage : 1.55 Volts
 Nominal Dimensions : Ø7.90 X 3.10mm
 Applications : Analog watch, calculator, etc.
 Average Weight : 0.65g
 Shelf Life : Not less than 90% of the service capacity, following 1st year storage at 20°C.
 Date Code : Unless otherwise specified, each cell will carry a numeric year code and an alphabetical month code.
 Nominal Service Life : 355 hrs (at 15kΩ Load)
 (to 1.2V at 20°C) 100 days (at 100kΩ Load)



Unit : mm

Typical Discharge Characteristics at 20°C



Average Service Capacity:
 37 mAh (rated capacity at 15kΩ load,
 cut off voltage 1.2V at 20°C)

Close circuit voltage:
 1.25 Volts (min.) (load resistor 100Ω at
 20°C for 1 to 2 seconds)

Cross Reference:

EVEREADY	VARTA	RENATA
329	V329	329