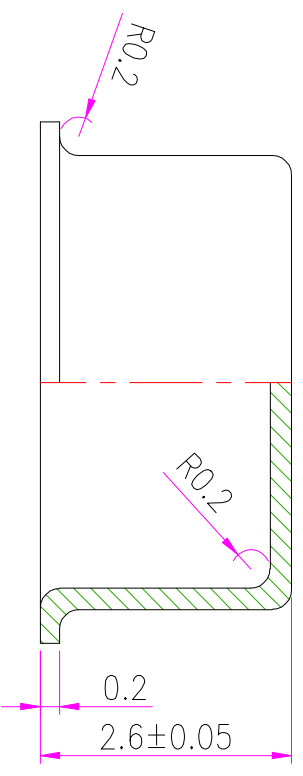
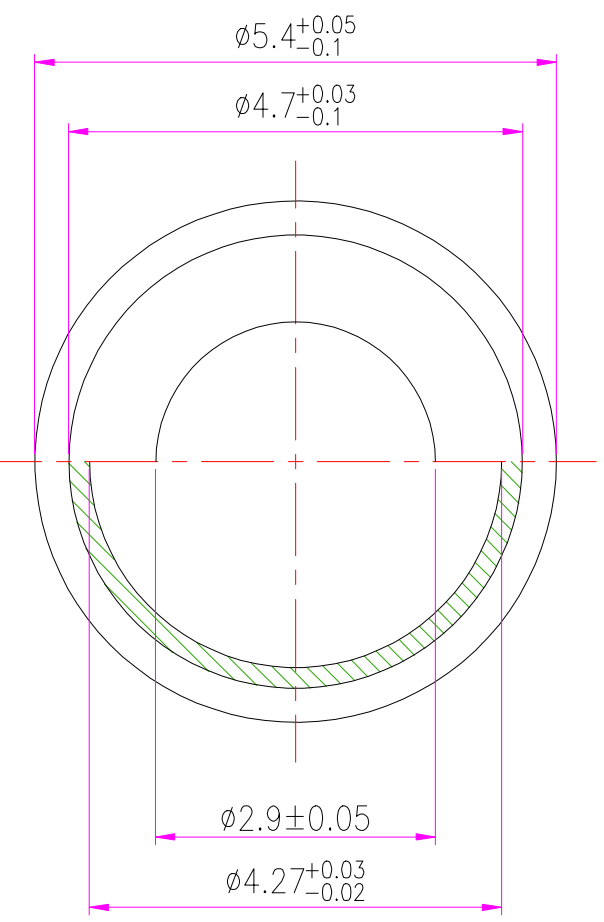


ITEM	DESCRIPTION	MATERIAL	Q'TY	SIZE	PART DRAWN NO	WT(Kg)
02	TO-46-2.9 CAP	SPOC	-	-		



**NOTE**

- \*Material : SPCC
- \*Thickness : 0.2t
- \*Finish : Ni Plating 5~8µm

Designed by	Checked by	Approved	Reference	Date	Scale	Sheet
				2016.08		
<b>Saram</b> ELECTRONICS CORP.			Project Title			
			Drawing No.			
			Cap			
			GEC - TO46C-290			
Mark	Revision	Date	Drawn	Check	Appr	Note