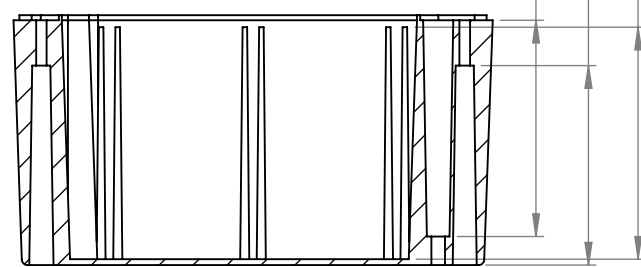
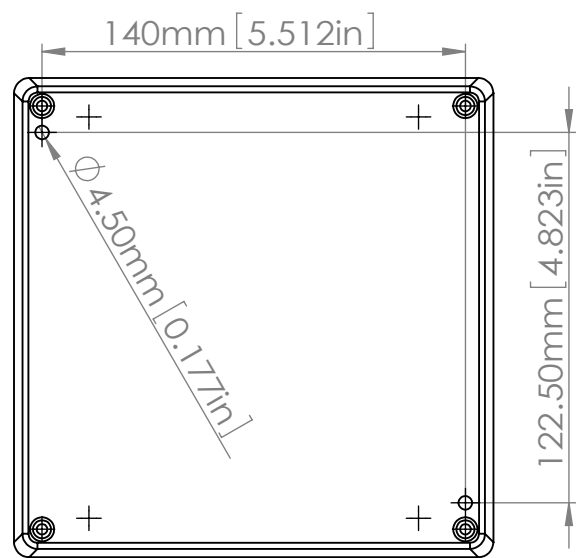
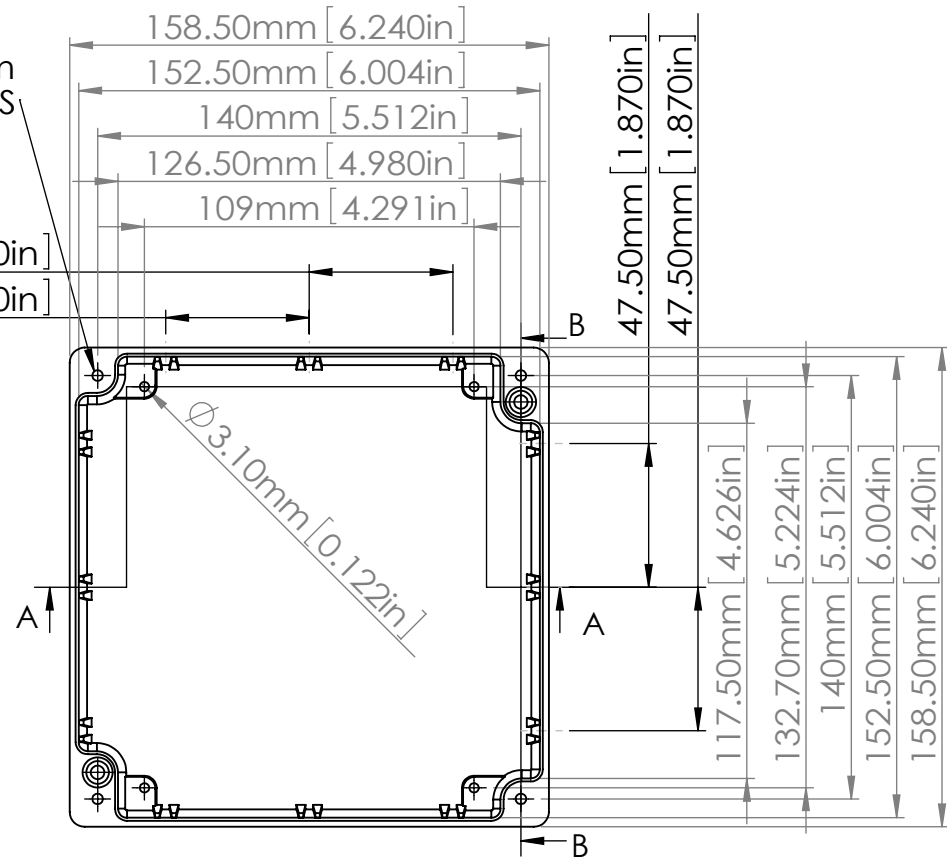
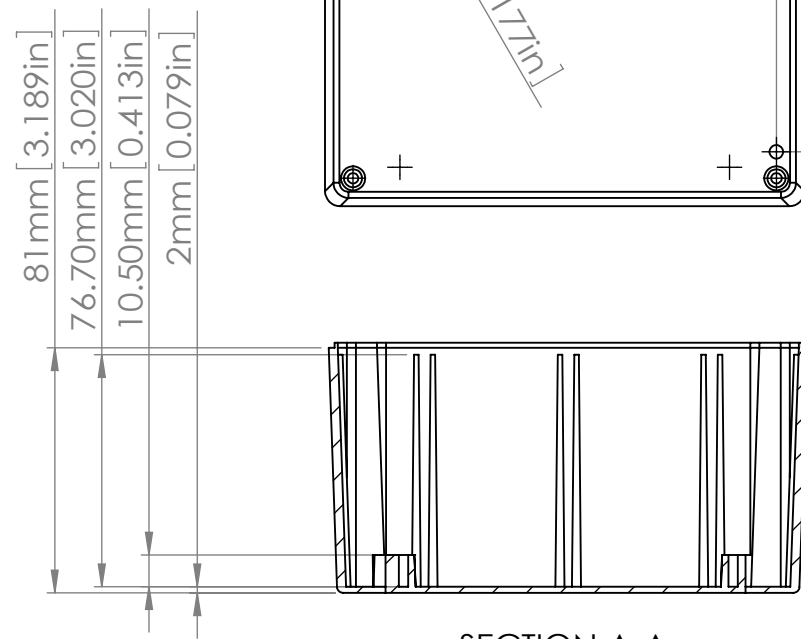


FOUR (4) M4X32mm
FLAT HEAD SCREWS

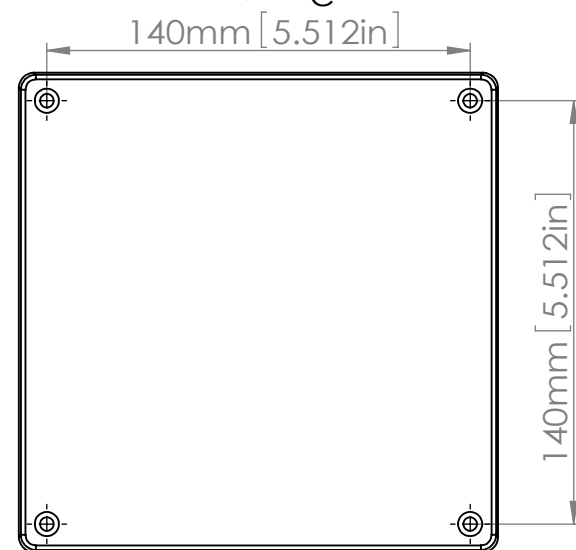
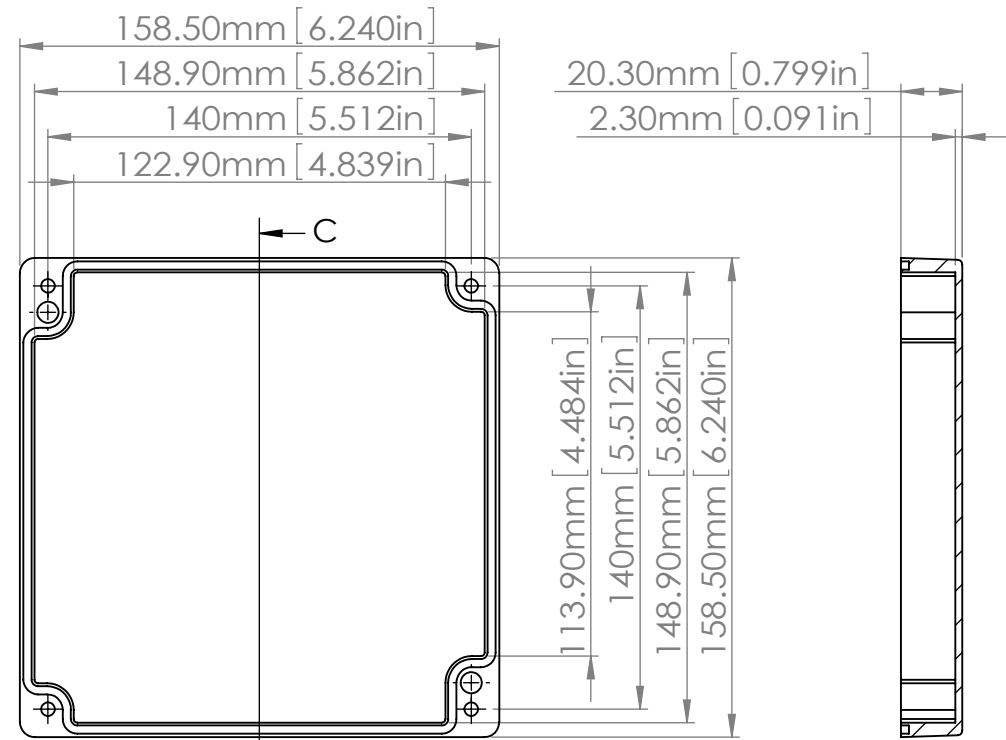
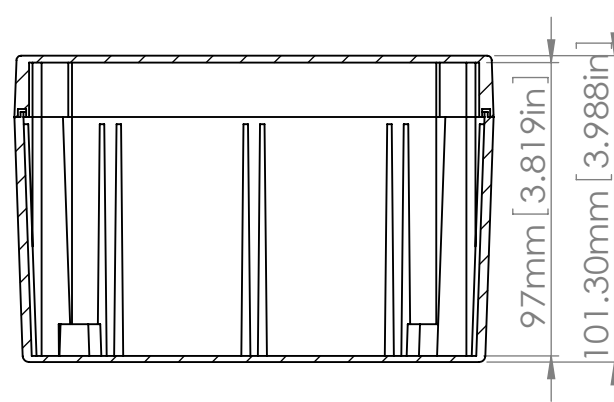
47.50mm [1.870in]
47.50mm [1.870in]



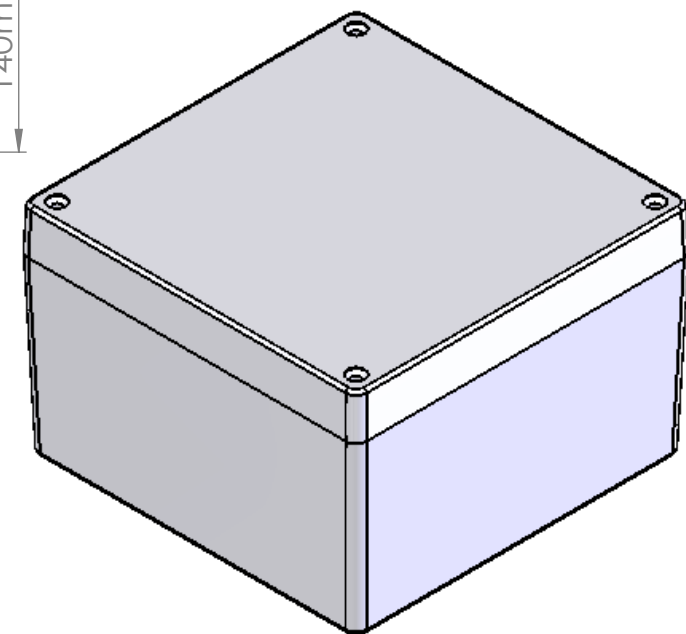
SECTION B-B
SCALE 2 : 5



SECTION A-A
SCALE 2 : 5



SECTION C-C
SCALE 2 : 5



TOLERANCES: +/- 0.30 mm (+/- 0.012in)

宣又實業有限公司
GAINTA INDUSTRIES LTD.

繪圖 DRA'D BY
JACKY

日期 DATE
2009/11/30

材質 MATE.
ALUMINIUM ALLOY ADC-12

圖名TITLE:
G139

圖號DWG NO:

版次REVISID:
C