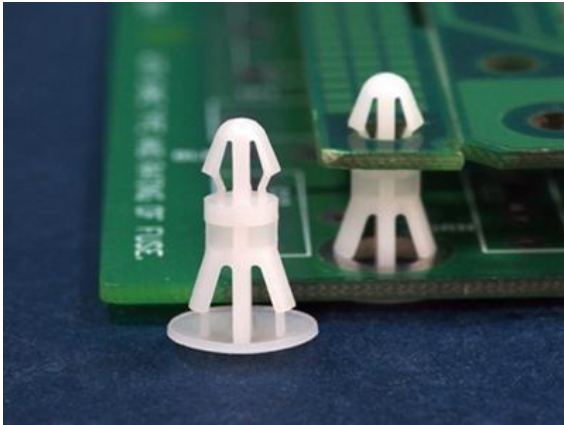
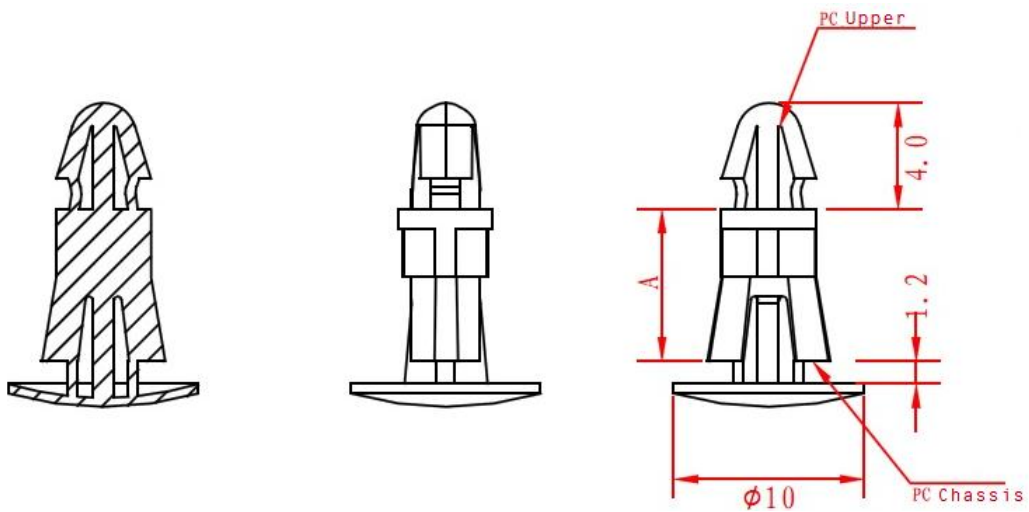


4.0/5.5mm Spacer Support KLS8-0209



- Material: NYLON 66(UL94V-2),NATURAL
- Working temperature: 0°C~80°C
- Dipping Bibulous: 2.5% at 20°C 24H 50% Humidity
- Withstand Voltage:2500V/0.5mA/1m
- Heat Resistance: B-130°C (30m without melting at 200 °C)
- Application: the fixed PC board on the boards, free tools



P/N	A(mm)	UPPER		CHASSIS	
		PCB Hole	PCB THICKNESS	PCB Hole	PCB THICKNESS
L-KLS8-0209-BSD-3	3.5	4 mm	1.2~1.7	5.5mm	1.2~1.8
L-KLS8-0209-BSD-5	5	4 mm	1.2~1.7	5.5mm	1.2~1.8
L-KLS8-0209-BSD-6	6	4 mm	1.2~1.7	5.5mm	1.2~1.8
L-KLS8-0209-BSD-7	7	4 mm	1.2~1.7	5.5mm	1.2~1.8
L-KLS8-0209-BSD-8	8	4 mm	1.2~1.7	5.5mm	1.2~1.8
L-KLS8-0209-BSD-10	10	4 mm	1.2~1.7	5.5mm	1.2~1.8
L-KLS8-0209-BSD-12	12	4 mm	1.2~1.7	5.5mm	1.2~1.8
L-KLS8-0209-BSD-14	14	4 mm	1.2~1.7	5.5mm	1.2~1.8
L-KLS8-0209-BSD-18	18	4 mm	1.2~1.7	5.5mm	1.2~1.8