

SANYO

No. 920E

LA7910**TV Tuner Band Selector**

The LA7910 is an IC for tuner band selection of electronic tuning type television set. This IC is used for producing the VHF channel "L" band power supply/VHF channel "H" band power supply/UHF channel power supply for tuner and the CATV power supply according to the band select signal of 2 inputs.

Functions

- . VHF "L" band power supply output.
- . VHF "H" band power supply output.
- . UHF power supply output.
- . CATV power supply output.

Features

- . 2 inputs and 4 outputs.
- . Low output saturation voltage : 0.25V typ., $I_O=60\text{mA}$
- . Compact 9-pin single-end package.

Maximum Ratings at $T_a=25^\circ\text{C}$

			unit
Maximum Supply Voltage	V_9 max	15	V
Maximum Load Current	I_1 max, I_2 max, I_7 max, I_8 max	-60	mA
Maximum Supply Current V_{CC2}	I_6 max	10	mA
Allowable Power Dissipation	P_d max	200	mW
Operating Temperature	T_{opr}	-20 to +85	$^\circ\text{C}$
Storage Temperature	T_{stg}	-55 to +125	$^\circ\text{C}$
Input Current	I_3 max, I_4 max	2	mA

Operating Characteristics at $T_a=25^\circ\text{C}$

		min	typ	max	unit
Current Dissipation	I_1, I_2, I_7, I_8			60	mA
Output Saturation Voltage	$V_O(\text{sat})$ $V_9=12\text{V}, I_6=5\text{mA}, I_O=60\text{mA}$	0	0.25	0.7	V
Input "H" Level Threshold Voltage	V_{TH}			3.0	V
Input "L" Level Threshold Voltage	V_{TL}	0.8			V
Output Leak Current	I_1, I_2, I_7, I_8 $T_a \leq 70^\circ\text{C}$			50	μA

Note) Current direction :

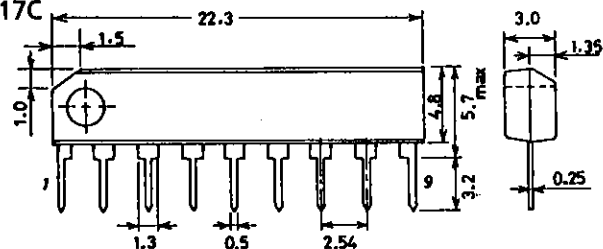
Current flowing into IC : Plus (No sign)

Current flowing out of IC : Minus (-)

Package Dimensions

(unit : mm)

3017C



SANYO : SIP9

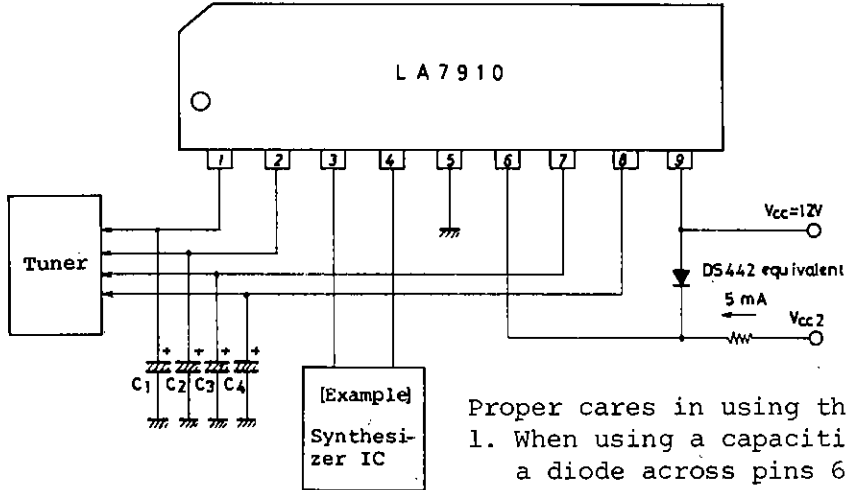
SANYO Electric Co., Ltd. Semiconductor Business Headquarters
TOKYO OFFICE Tokyo Bldg., 1-10, 1 Chome, Ueno, Taito-ku, TOKYO, 110 JAPAN

Truth Table

Input		Output			
Pin 3	Pin 4	Pin 1	Pin 2	Pin 7	Pin 8
L	L	H	Z	Z	Z
H	L	Z	H	Z	Z
L	H	Z	Z	H	Z
H	H	Z	Z	Z	H

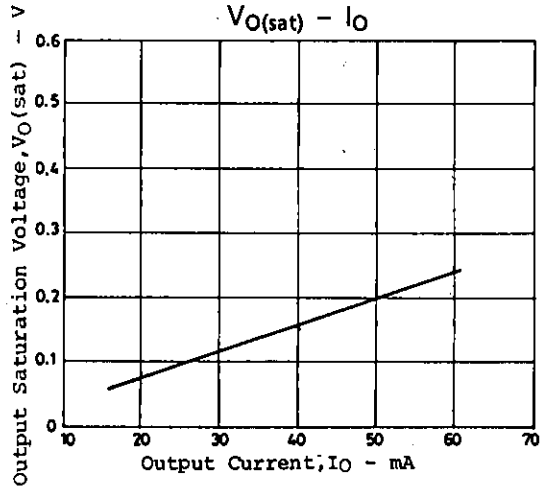
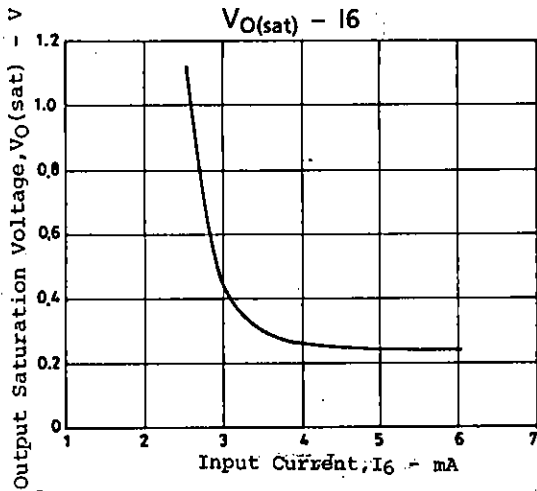
Input threshold voltage
: $V_{TL}=0.8V, V_{TH}=3V$

Sample Application Circuit



Proper cares in using the IC

1. When using a capacitive load, connect a diode across pins 6 and 9 as shown above.
2. The value of load capacitors C1, C2, C3, C4 must not exceed 22uF.



- No products described or contained herein are intended for use in surgical implants, life-support systems, aerospace equipment, nuclear power control systems, vehicles, disaster/crime-prevention equipment and the like, the failure of which may directly or indirectly cause injury, death or property loss.
- Anyone purchasing any products described or contained herein for an above-mentioned use shall:
 - ① Accept full responsibility and indemnify and defend SANYO ELECTRIC CO., LTD., its affiliates, subsidiaries and distributors and all their officers and employees, jointly and severally, against any and all claims and litigation and all damages, cost and expenses associated with such use:
 - ② Not impose any responsibility for any fault or negligence which may be cited in any such claim or litigation on SANYO ELECTRIC CO., LTD., its affiliates, subsidiaries and distributors or any of their officers and employees jointly or severally.
- Information (including circuit diagrams and circuit parameters) herein is for example only; it is not guaranteed for volume production. SANYO believes information herein is accurate and reliable, but no guarantees are made or implied regarding its use or any infringements of intellectual property rights or other rights of third parties.

This catalog provides information as of **June, 1996**. Specifications and information herein are subject to change without notice.

This datasheet has been download from:

www.datasheetcatalog.com

Datasheets for electronics components.