

TOSHIBA Bipolar Linear Integrated Circuit Silicon Monolithic

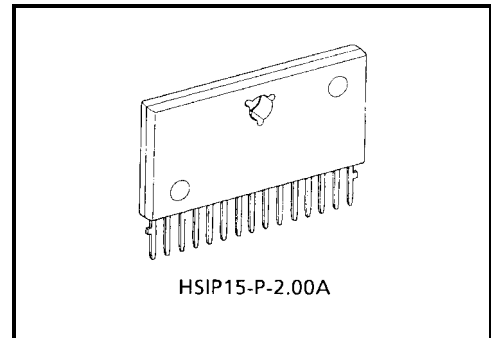
TA8229K

Low Frequency Power Amplifier

TA8229K is an audio power IC with built-in two channels developed for portable radio cassette tape recorder with power ON/OFF switch. Thermal shut down protection circuit is built in.

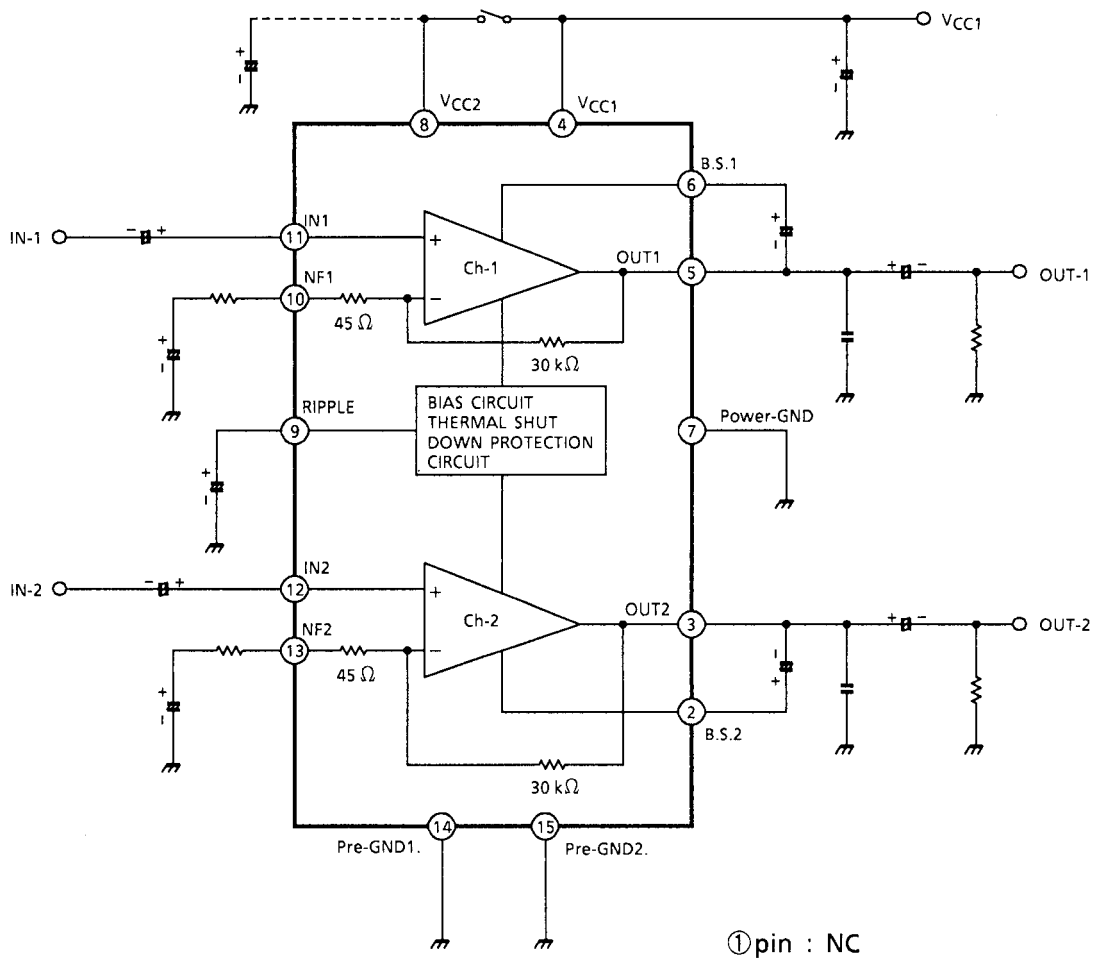
Features

- High power
 - : $P_{out(1)} = 2.5 \text{ W (typ.)}$
($V_{CC} = 9 \text{ V}$, $R_L = 4 \Omega$, $f = 1 \text{ kHz}$, $\text{THD} = 10\%$)
 - $P_{out(2)} = 4.6 \text{ W (typ.)}$
($V_{CC} = 12 \text{ V}$, $R_L = 3 \Omega$, $f = 1 \text{ kHz}$, $\text{THD} = 10\%$)
- Low popping noise at power ON
- Small quiescent current
 - : $I_{CCQ} = 21 \text{ mA (typ.)}$ ($V_{CC} = 15 \text{ V}$, $V_{in} = 0$)
- Soft clip
- Built-in thermal shut down protection circuit
- Best for supply voltage 9 V, 12 V
- Operation supply voltage range: $V_{CC(opr)} = 6 \sim 15 \text{ V}$ ($T_a = 25^\circ\text{C}$)



Weight: 3.9 g (typ.)

Block Diagram



Application Information and Application Method

1. Adjustment of voltage gain

The voltage gain G_V is obtained as follows by R_1 , R_2 and R_f in Figure 1.

$$G_V = 20 \log \frac{R_f + R_1 + R_2}{R_f + R_1}$$

When $R_f = 0 \Omega$ $G_V = 56.5\text{dB}$ (typ.)

When $R_f = 120 \Omega$ $G_V = 45\text{dB}$ (typ.)

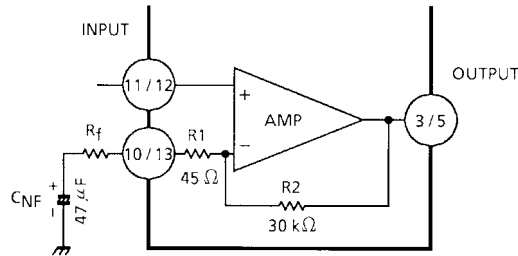


Figure 1

By increasing R_f , reduction of G_V is possible. However, since the feedback increase is liable to produce oscillation, it is recommended to use this at 40dB or over.

2. Thermal shut-down circuit

The thermal shut-down circuit is built in for the purpose of preventing the destruction of IC due to the abnormal temperature rise when the heat radiation is insufficient.

The operation temperature is set at radiation Fin temperature 175°C (typ.).

At this temperature or over the bias is interrupted to prevent the destruction of IC.

3. Input stage

The input circuit of this IC is as shown in Figure 2.

PNP Tr: Q1 is provided in the input circuit so as to make its usage possible without the input coupling capacitor.

However, at pin11 and 12, max 60 mV offset voltage is produced.

Application after checking volume slide noise is recommended.

For cutting the volume slide noise, insert the input capacitor: C_{IN} in series to interrupt the DC component.

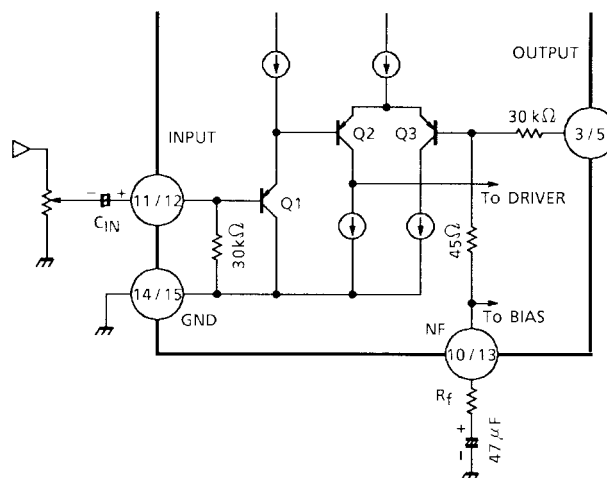


Figure 2

4. Oscillation preventive measures (Note 1)

For oscillation preventive capacitor C6 and C7 between the output terminal and GND, it is recommended to use polyester film capacitor having good characteristics for temperature and for high frequency. Since the characteristics of the ceramic capacitor is liable to be influenced by the temperature, use this capacitor after the temperature test to check the oscillation allowance.

In addition, as the position of the electrolytic capacitor has a remarkable influence on the oscillation, connect C10 to VCC at the nearest possible position from power GND.

At using this application with the voltage gain reduced, oscillation is liable to be produced. Apply the capacitor after checking enough for its capacity, type and mounting position.

Note 1: As the oscillation allowance varies according to the printed pattern layout, the standard printed board of TOSHIBA is recommended to be referred to design it.

5. Power ON/OFF switch

There is power ON/OFF switch at pin 8. However, output power is changed by pin 8 supply voltage when pin 4 supply voltage is not same pin 8 supply voltage, after referring to attached data, select pin 8 supply voltage.

6. Input voltage

When the excessive signal is input, turning-up is produced in the clip waveform. The turning-up point is $V_{in} = 300 \text{ mVrms (typ.)} : V_{CC} = 9 \text{ V}, R_L = 4 \Omega, f = 1 \text{ kHz}$: Enough care must be taken for this phenomenon.

Maximum Ratings (Ta = 25°C)

Characteristics	Symbol	Rating	Unit
Supply voltage	V_{CC}	20	V
Output current (peak/CH)	$I_O \text{ (peak)}$	2.5	A
Power dissipation	$P_D \text{ (Note 2)}$	15.0	W
Operating temperature	T_{opr}	-20~75	°C
Storage temperature	T_{stg}	-55~150	°C

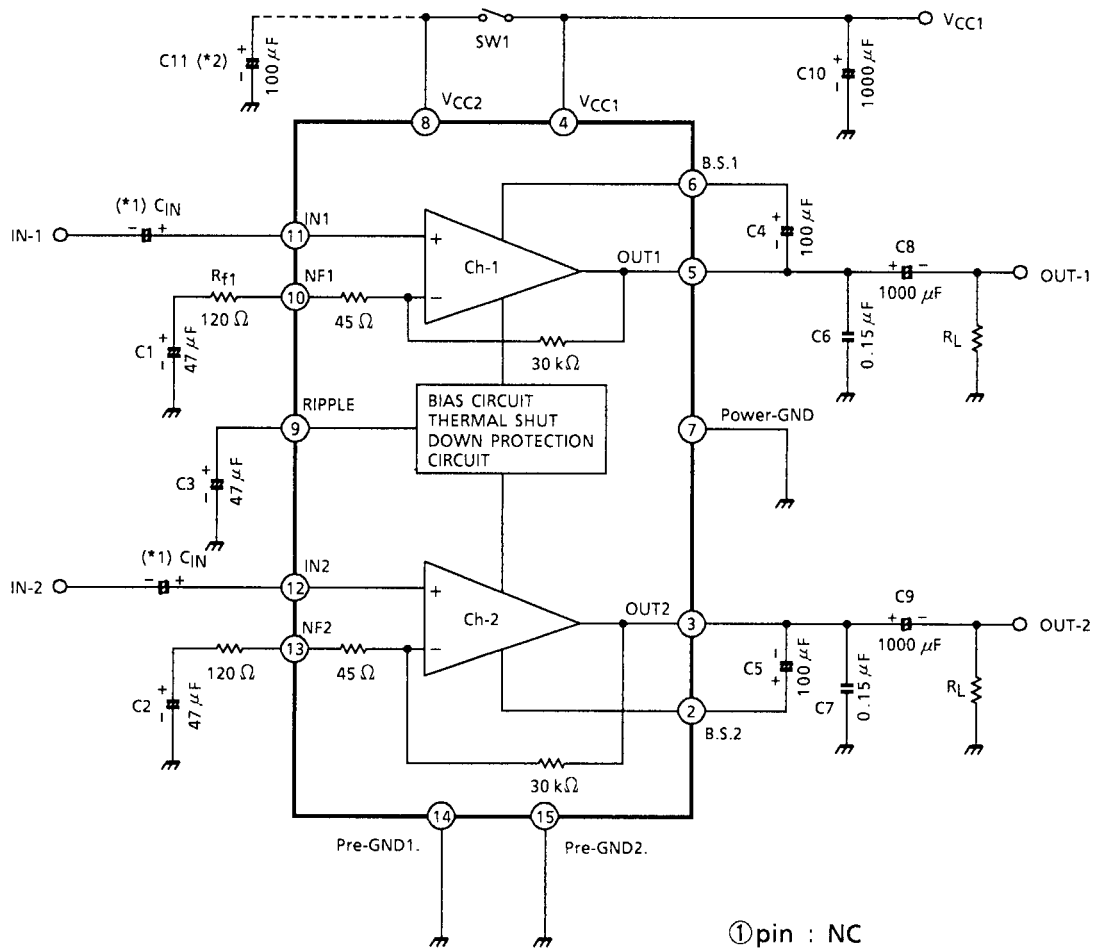
Note 2: Derated above Ta = 25°C in the proportion of 120 mW/°C.

Electrical Characteristics

(unless otherwise specified, $V_{CC} = 9\text{ V}$, $R_L = 4\ \Omega$, $R_g = 600\ \Omega$, $f = 1\text{ kHz}$, $T_a = 25^\circ\text{C}$, $R_f = 120\ \Omega$)

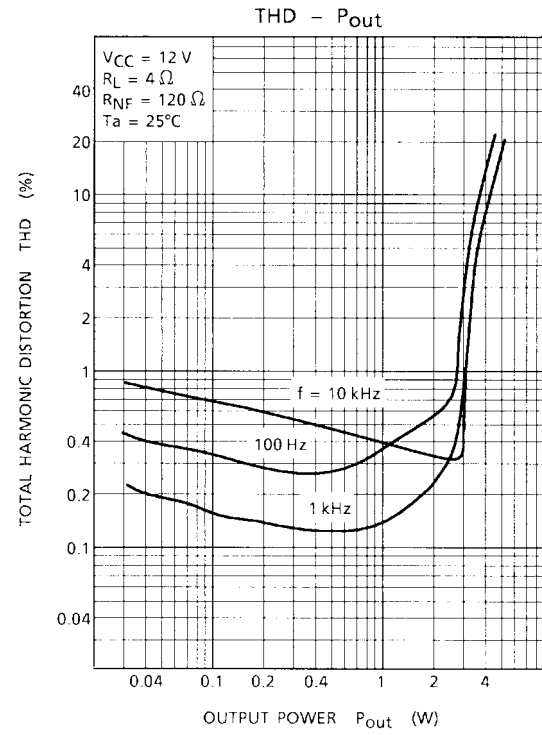
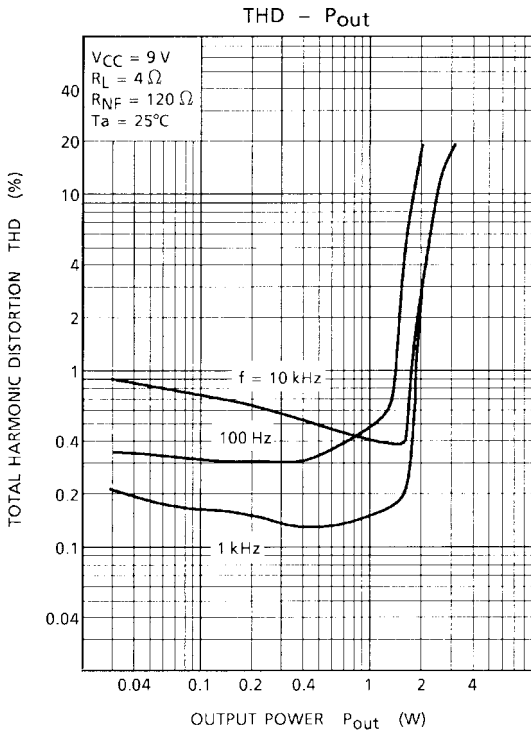
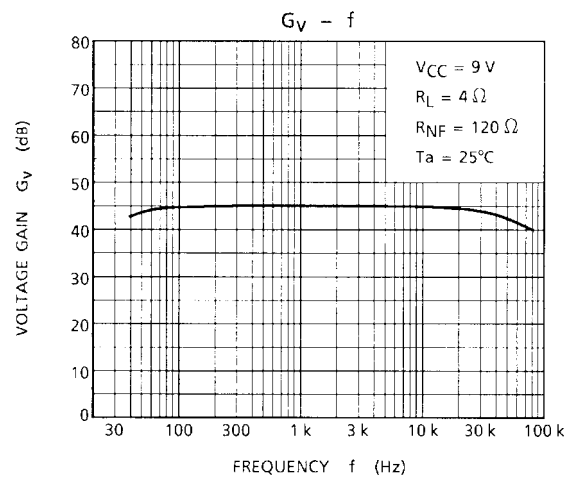
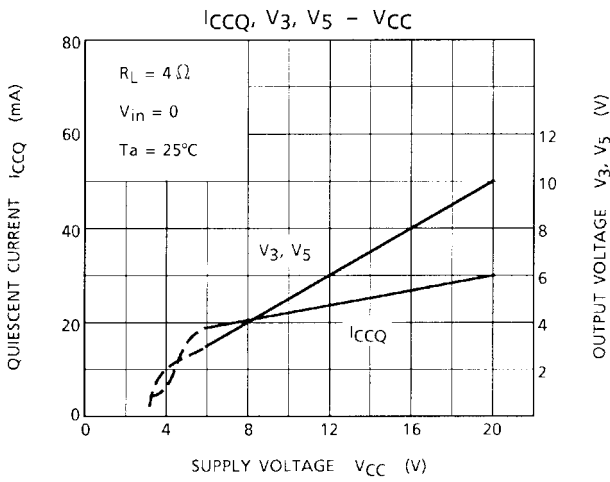
Characteristics	Symbol	Test Circuit	Test Condition	Min	Typ.	Max	Unit
Quiescent current	I_{CCQ}	—	$V_{in} = 0$	—	21	45	mA
Output power	$P_{out(1)}$	—	THD = 10%	2.0	2.5	—	W
	$P_{out(2)}$	—	THD = 10%, $V_{CC} = 12\text{ V}$	—	4.6	—	
Total harmonic distortion	THD	—	$P_{out} = 0.4\text{ W/ch}$	—	0.2	1.0	%
Voltage gain	$G_v(1)$	—	$R_f = 120\ \Omega$, $V_{out} = 0.775\text{ Vrms (0dBm)}$	43	45	47	dB
	$G_v(2)$	—	$R_f = 0$, $V_{out} = 0.775\text{ Vrms (0dBm)}$	—	56.5	—	
Input resistance	R_{IN}	—		—	30	—	k Ω
Output noise voltage	V_{no}	—	$R_g = 10\text{ k}\Omega$, $BW = 20\text{ Hz}\sim 20\text{ kHz}$	—	0.3	1.0	mVrms
Ripple rejection ratio	R.R.	—	$R_g = 600\ \Omega$, $f_{ripple} = 100\text{ kHz}$	—	-52	—	dB
Cross talk	C.T.	—	$R_g = 600\ \Omega$, amp1 \leftrightarrow 2, $f = 1\text{ kHz}$, $V_{out} = 0.775\text{ Vrms (0dBm)}$	—	-50	—	dB
Input offset voltage	V_{13}, V_{11}	—	—	—	30	60	mV
Stand-by current	I_{OFF}	—	SW1 \rightarrow OFF	—	1	—	μA

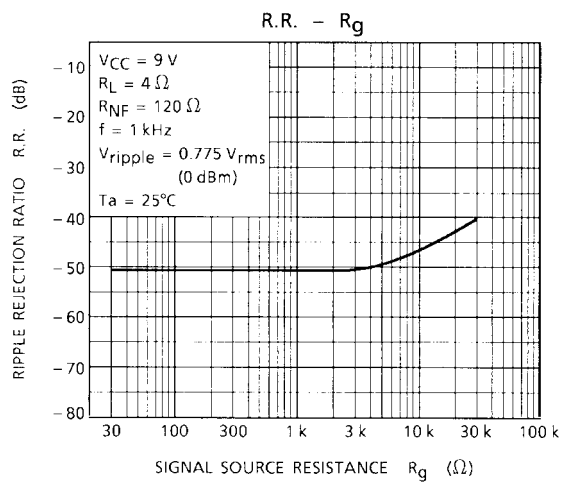
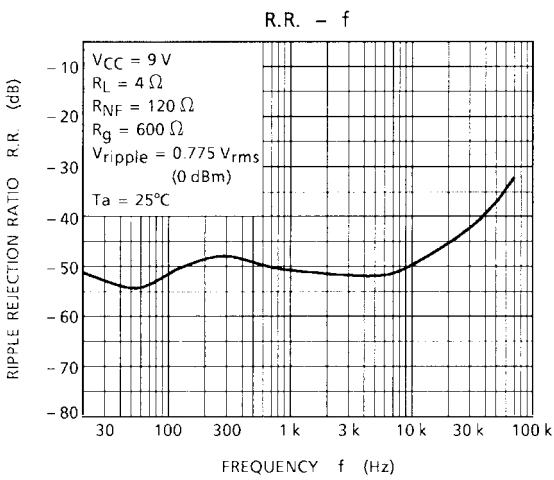
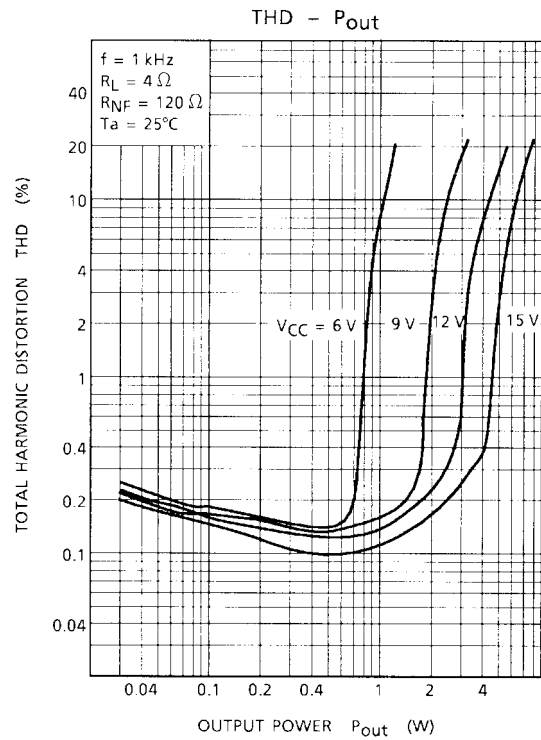
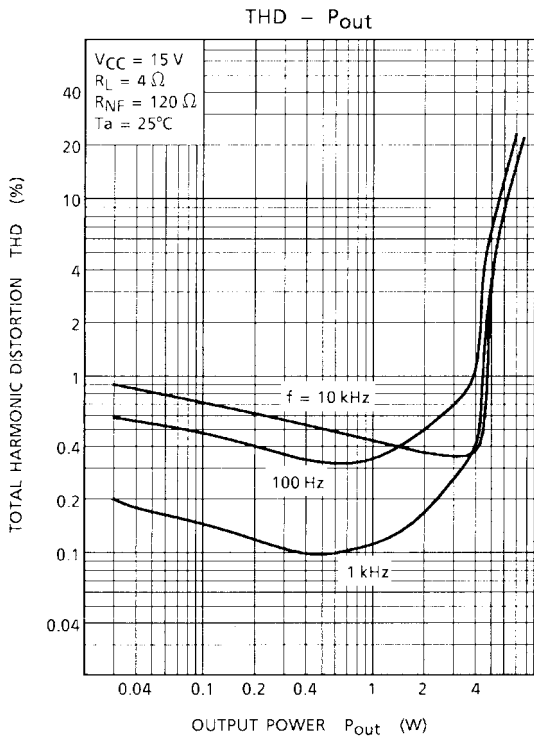
Test Circuit

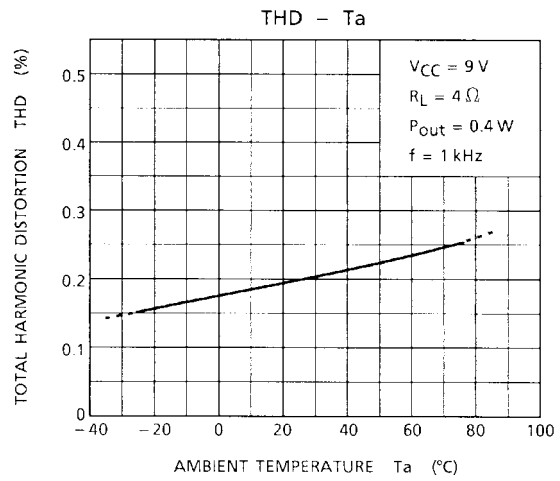
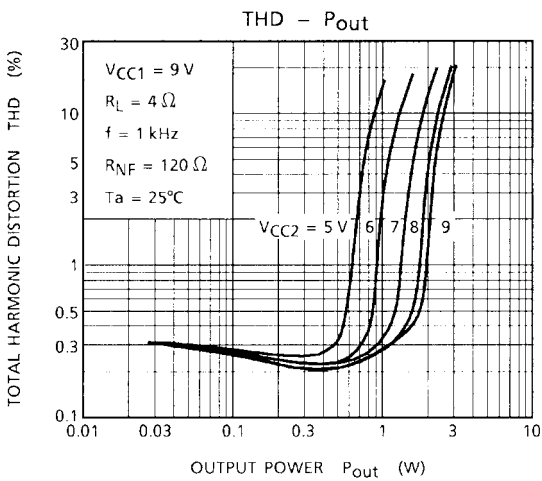
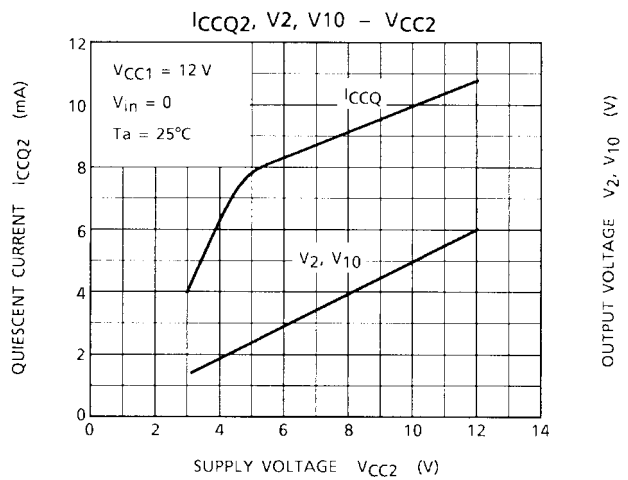
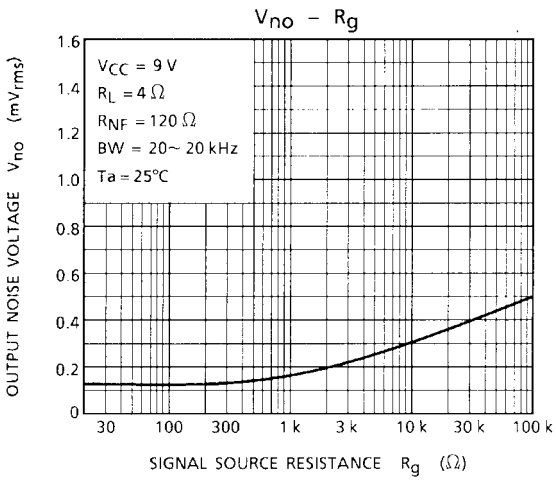
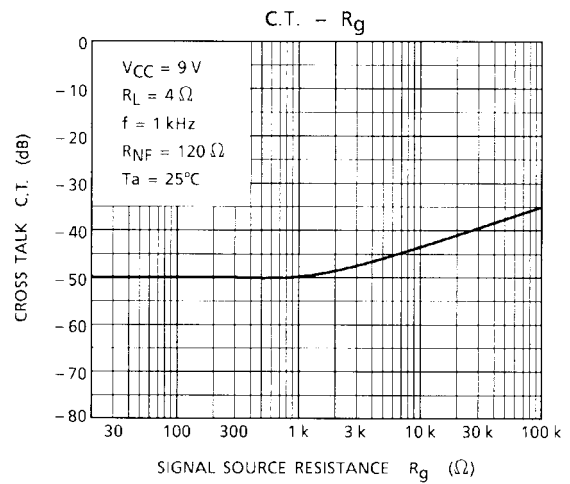
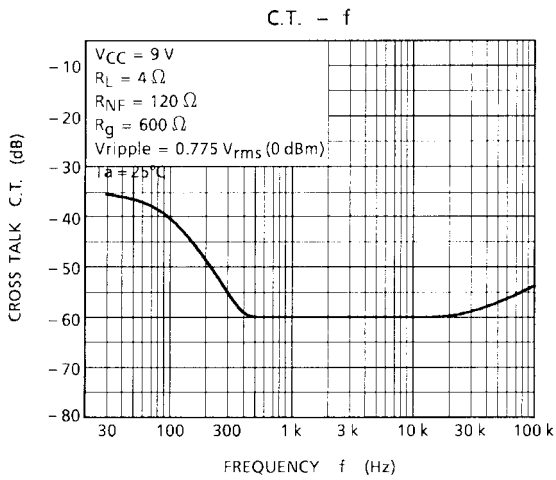


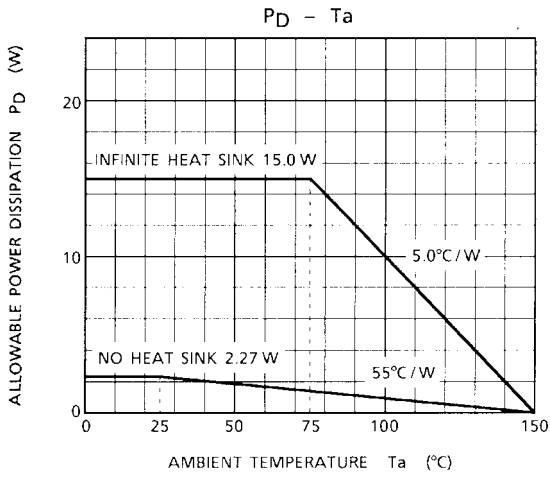
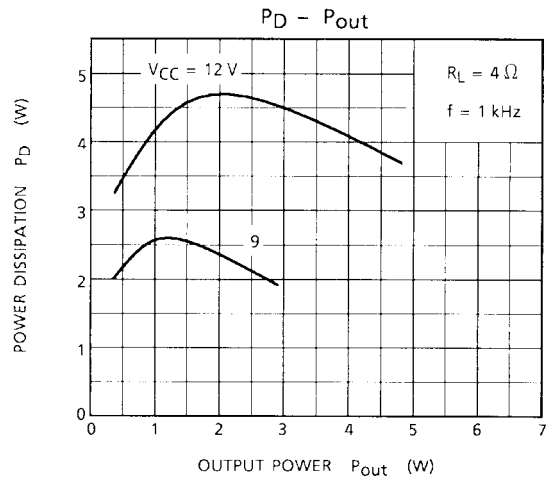
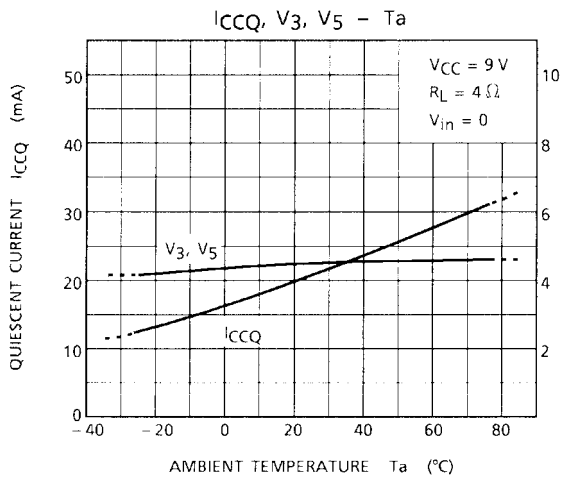
*1: This IC can be used without coupling capacitor (C_{IN}). If volume slide noise occurred by input offset voltage is undesirable, it needs to use the capacitor (C_{IN}).

*2: The condenser between the pin 8 and the GND (C_{11}) is for reducing POP noise when the power ON/OFF switch (SW_1) is set to ON/OFF.





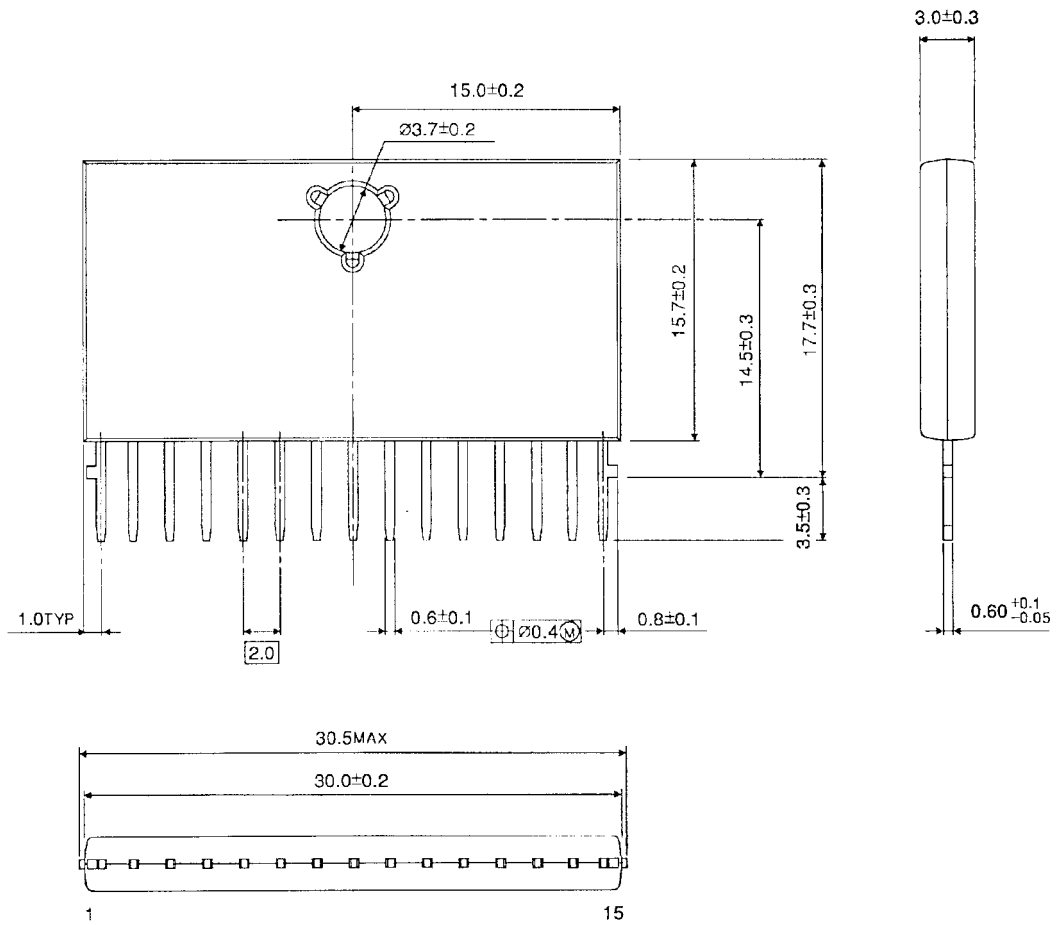




Package Dimensions

HSIP15-P-2.00A

Unit : mm



Weight: 3.9 g (typ.)

RESTRICTIONS ON PRODUCT USE

000707EBA

- TOSHIBA is continually working to improve the quality and reliability of its products. Nevertheless, semiconductor devices in general can malfunction or fail due to their inherent electrical sensitivity and vulnerability to physical stress. It is the responsibility of the buyer, when utilizing TOSHIBA products, to comply with the standards of safety in making a safe design for the entire system, and to avoid situations in which a malfunction or failure of such TOSHIBA products could cause loss of human life, bodily injury or damage to property.
In developing your designs, please ensure that TOSHIBA products are used within specified operating ranges as set forth in the most recent TOSHIBA products specifications. Also, please keep in mind the precautions and conditions set forth in the "Handling Guide for Semiconductor Devices," or "TOSHIBA Semiconductor Reliability Handbook" etc..
- The TOSHIBA products listed in this document are intended for usage in general electronics applications (computer, personal equipment, office equipment, measuring equipment, industrial robotics, domestic appliances, etc.). These TOSHIBA products are neither intended nor warranted for usage in equipment that requires extraordinarily high quality and/or reliability or a malfunction or failure of which may cause loss of human life or bodily injury ("Unintended Usage"). Unintended Usage include atomic energy control instruments, airplane or spaceship instruments, transportation instruments, traffic signal instruments, combustion control instruments, medical instruments, all types of safety devices, etc.. Unintended Usage of TOSHIBA products listed in this document shall be made at the customer's own risk.
- The products described in this document are subject to the foreign exchange and foreign trade laws.
- The information contained herein is presented only as a guide for the applications of our products. No responsibility is assumed by TOSHIBA CORPORATION for any infringements of intellectual property or other rights of the third parties which may result from its use. No license is granted by implication or otherwise under any intellectual property or other rights of TOSHIBA CORPORATION or others.
- The information contained herein is subject to change without notice.

This datasheet has been download from:

www.datasheetcatalog.com

Datasheets for electronics components.