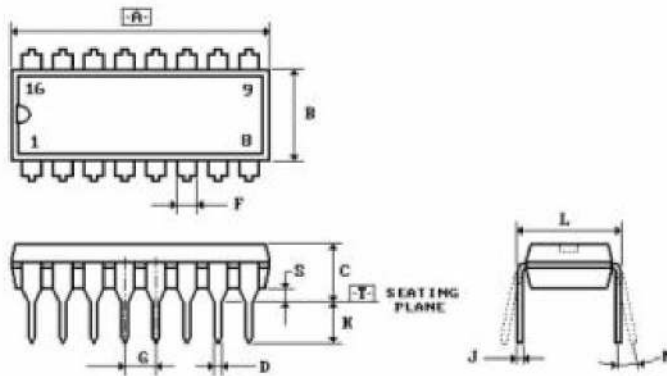


КОРПУС DIP – 16



| DIM | MILLIMETERS | |
|-----|-------------|-------|
| | MIN | MAX |
| A | 20.16 | 21.00 |
| B | 6.42 | 7.00 |
| C | - | 5.00 |
| D | 0.41 | 0.55 |
| F | - | 1.58 |
| G | 2.5 BSC | |
| J | 0.24 | 0.34 |
| K | 3.26 | 3.74 |
| L | 8.00 | 8.30 |
| M | 5° | 15° |
| S | 0.51 | - |

