

HFA08TB120S

HEXFRED™

Ultrafast, Soft Recovery Diode

Features

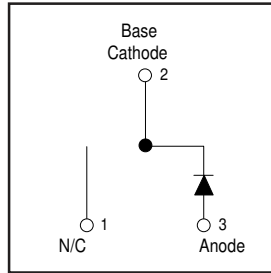
- Ultrafast Recovery
- Ultrasoft Recovery
- Very Low I_{RRM}
- Very Low Q_{rr}
- Specified at Operating Conditions

Benefits

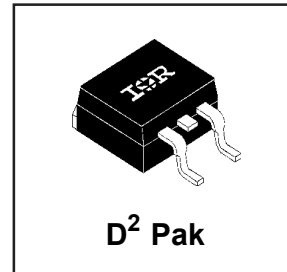
- Reduced RFI and EMI
- Reduced Power Loss in Diode and Switching Transistor
- Higher Frequency Operation
- Reduced Snubbing
- Reduced Parts Count

Description

International Rectifier's HFA08TB120S is a state of the art ultra fast recovery diode. Employing the latest in epitaxial construction and advanced processing techniques it features a superb combination of characteristics which result in performance which is unsurpassed by any rectifier previously available. With basic ratings of 1200 volts and 8 amps continuous current, the HFA08TB120S is especially well suited for use as the companion diode for IGBTs and MOSFETs. In addition to ultra fast recovery time, the HEXFRED product line features extremely low values of peak recovery current (I_{RRM}) and does not exhibit any tendency to "snap-off" during the t_b portion of recovery. The HEXFRED features combine to offer designers a rectifier with lower noise and significantly lower switching losses in both the diode and the switching transistor. These HEXFRED advantages can help to significantly reduce snubbing, component count and heatsink sizes. The HEXFRED HFA08TB120S is ideally suited for applications in power supplies and power conversion systems (such as inverters), motor drives, and many other similar applications where high speed, high efficiency is needed.



$V_R = 1200V$
$V_F(\text{typ.})^* = 2.4V$
$I_{F(AV)} = 8.0A$
$Q_{rr}(\text{typ.}) = 140nC$
$I_{RRM}(\text{typ.}) = 4.5A$
$t_{rr}(\text{typ.}) = 28ns$
$di_{(rec)M}/dt(\text{typ.})^* = 85A/\mu s$



Absolute Maximum Ratings

	Parameter	Max.	Units
V_R	Cathode-to-Anode Voltage	1200	V
$I_F @ T_C = 100^\circ C$	Continuous Forward Current	8.0	A
I_{FSM}	Single Pulse Forward Current	130	
I_{FRM}	Maximum Repetitive Forward Current	32	
$P_D @ T_C = 25^\circ C$	Maximum Power Dissipation	73.5	W
$P_D @ T_C = 100^\circ C$	Maximum Power Dissipation	29	
T_J	Operating Junction and	-55 to +150	$^\circ C$
T_{STG}	Storage Temperature Range		

* 125°C

Electrical Characteristics @ $T_J = 25^\circ\text{C}$ (unless otherwise specified)

	Parameter	Min.	Typ.	Max.	Units	Test Conditions
V_{BR}	Cathode Anode Breakdown Voltage	1200	—	—	V	$I_R = 100\mu\text{A}$
V_{FM}	Max Forward Voltage	—	2.6	3.3	V	$I_F = 8.0\text{A}$
		—	3.4	4.3		$I_F = 16\text{A}$
		—	2.4	3.1		$I_F = 8.0\text{A}, T_J = 125^\circ\text{C}$
I_{RM}	Max Reverse Leakage Current	—	0.31	10	μA	$V_R = V_R \text{ Rated}$
		—	135	1000		$T_J = 125^\circ\text{C}, V_R = 0.8 \times V_R \text{ Rated}$ <small>Rated</small>
C_T	Junction Capacitance	—	11	20	pF	$V_R = 200\text{V}$
L_S	Series Inductance	—	8.0	—	nH	Measured lead to lead 5mm from package body

Dynamic Recovery Characteristics @ $T_J = 25^\circ\text{C}$ (unless otherwise specified)

	Parameter	Min.	Typ.	Max.	Units	Test Conditions	
t_{rr}	Reverse Recovery Time	—	28	—	ns	$I_F = 1.0\text{A}, di/dt = 200\text{A}/\mu\text{s}, V_R = 30\text{V}$ $T_J = 25^\circ\text{C}$	
t_{rr1}	See Fig. 5	—	63	95			$T_J = 125^\circ\text{C}$
t_{rr2}		—	106	160			$T_J = 125^\circ\text{C}$
I_{RRM1}	Peak Recovery Current	—	4.5	8.0	A	$T_J = 25^\circ\text{C}$	
						$T_J = 125^\circ\text{C}$	
I_{RRM2}	See Fig. 6	—	6.2	11	nC	$V_R = 200\text{V}$ $di/dt = 200\text{A}/\mu\text{s}$	
Q_{rr1}	Reverse Recovery Charge	—	140	380			$T_J = 25^\circ\text{C}$
Q_{rr2}		See Fig. 7	—	335			880
$di_{(rec)M}/dt1$	Peak Rate of Fall of Recovery Current During t_b See Fig. 8	—	133	—	$\text{A}/\mu\text{s}$	$T_J = 25^\circ\text{C}$	
$di_{(rec)M}/dt2$		—	85	—		$T_J = 125^\circ\text{C}$	

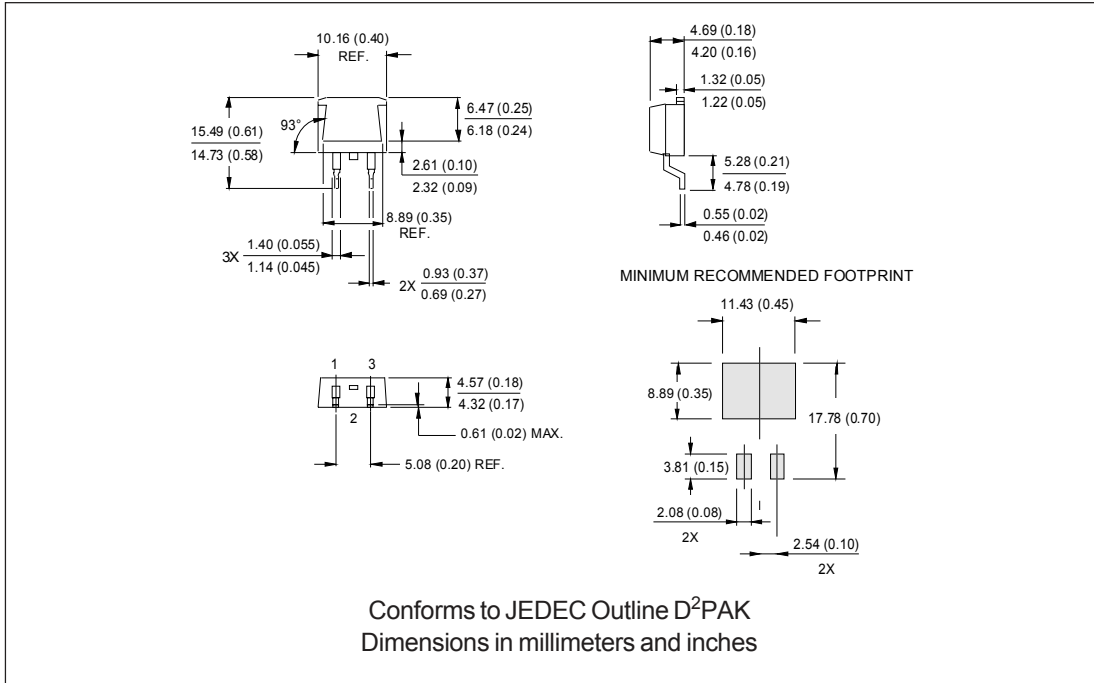
Thermal - Mechanical Characteristics

	Parameter	Min.	Typ.	Max.	Units
T_{lead} ①	Lead Temperature	—	—	300	$^\circ\text{C}$
R_{thJC}	Thermal Resistance, Junction to Case	—	—	1.7	K/W
R_{thJA} ②	Thermal Resistance, Junction to Ambient	—	—	40	
Wt	Weight	—	2.0	—	g
		—	0.07	—	(oz)

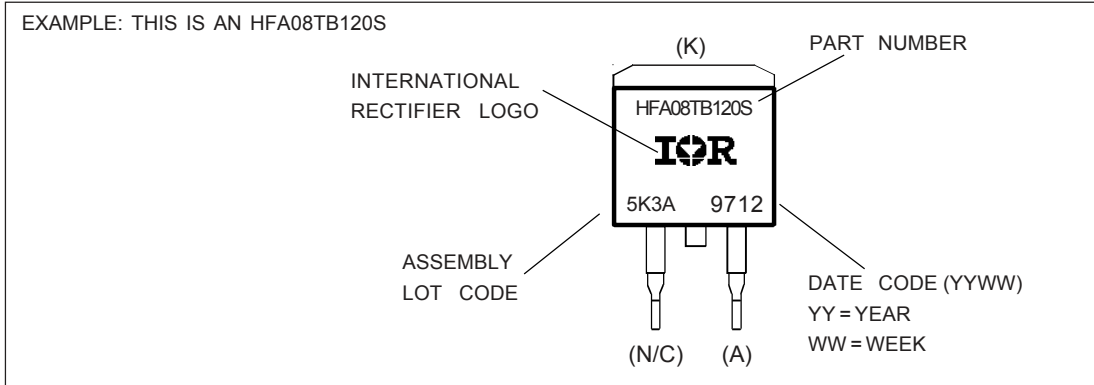
① 0.063 in. from Case (1.6mm) for 10 sec

② Typical Socket Mount

Outline Table



Part Marking Information

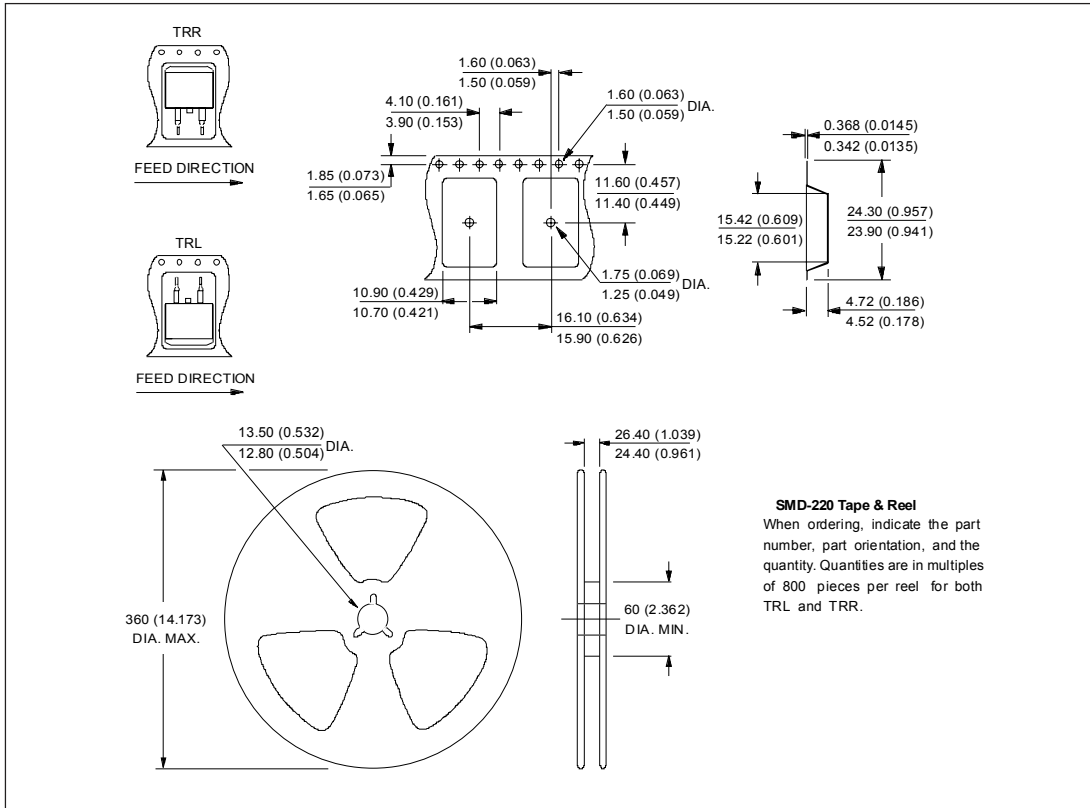


HFA08TB120S

Bulletin PD-20603 rev. B 11/03



Tape & Reel Information



Data and specifications subject to change without notice.
This product has been designed and qualified for Industrial Level.
Qualification Standards can be found on IR's Web site.



IR WORLD HEADQUARTERS: 233 Kansas St., El Segundo, California 90245, USA Tel: (310) 252-7105

TAC Fax: (310) 252-7309

Visit us at www.irf.com for sales contact information. 11/03

This datasheet has been download from:

www.datasheetcatalog.com

Datasheets for electronics components.