

规格书编号

SPEC NO :

产品规格书

SPECIFICATION

CUSTOMER 客户: _____
PRODUCT 产品: _____ CRYSTAL RESONATOR _____
MODEL NO 型号: _____ SMD2016-16.000-F-8-10/15/E _____
PREPARED 编制: _____ LEO _____ CHECKED 审核: _____ YORK _____
APPROVED 批准: _____ LIUMING _____ DATE 日期: _____ 2017-06-30 _____

客户确认 CUSTOMER RECEIVED:		
审核 CHECKED	批准 APPROVED	日期 DATE

无锡市好达电子有限公司
Shoulder Electronics Limited

更改历史记录 History Record

更改日期 Date	规格书编号 Spec No	产品型号 Part No	客户产品型号 Customer No	更改内容描述 Modify Content	备注 Remark

SPECIFICATIONS

1、GENERAL

Oscillation Mode:	AT-CUT, Fundamental
Nominal Frequency:	16.000 MHz
Load Capacitance:	8PF
Storage Temperature:	from -55 to +125°C
Operable Temperature:	from -40 to +85°C

2、ELECTRICAL PERFORMANCE

Frequency Tolerance:	$\pm 10\text{ppm at } 25^\circ\text{C} \pm 3^\circ\text{C}$
Temperature Stability:	$\pm 15\text{ppm from } -40 \text{ to } +85^\circ\text{C}$
Series Resistance:	100 Ohm max.
Shunt Capacitance:	5.0 pF max.
Drive Level Nominal:	100 μw max. (10 μW typical)
Insulation Resistance:	500 M Ω at DC 100V
Aging:	$\pm 3\text{ppm/year}$
Package Spec:	TAPE & REEL

3、REMARKS

Marking:

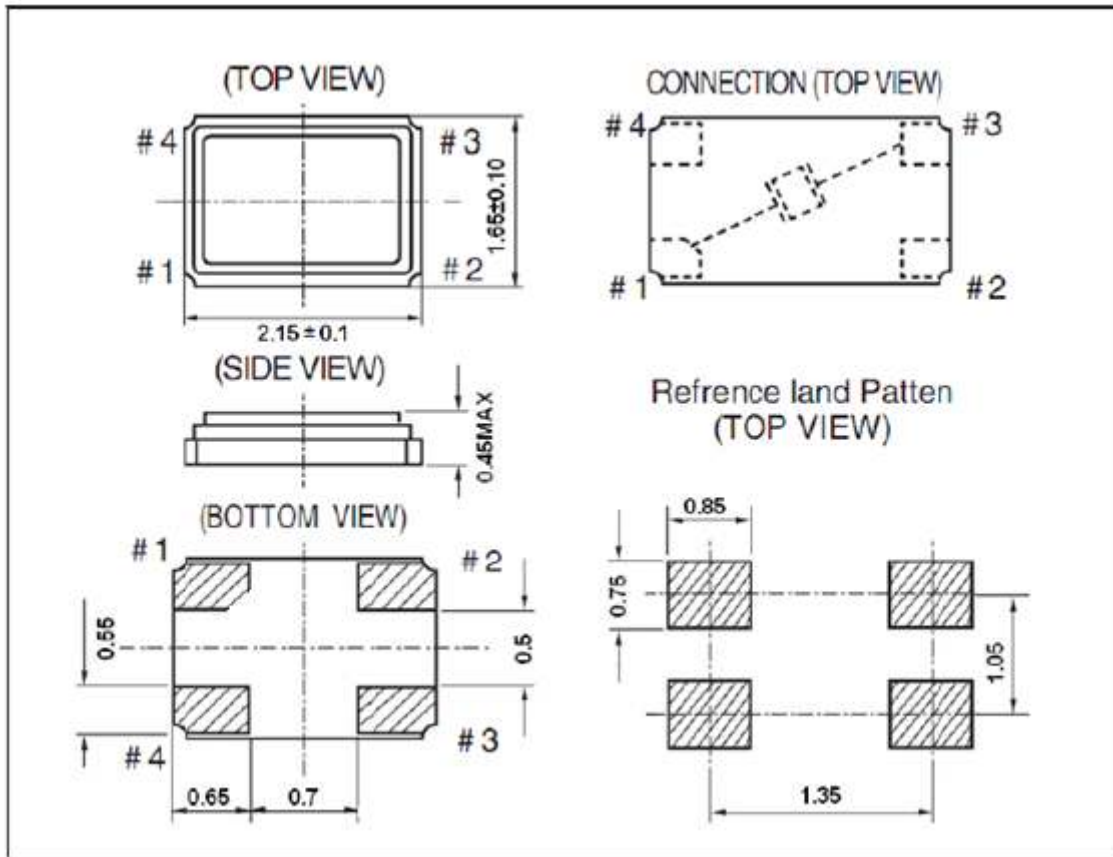
Pb Free & RoHS Compliant: Yes

SPECIFICATIONS

PHYSICAL & ENVIRONMENTAL PARAMETERS:

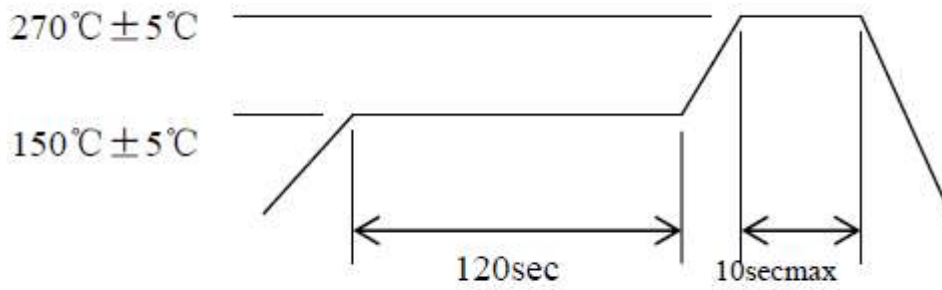
No	DESCRIPTION	CONTENTS	Requirements
1	Vibration	10~55Hz, 0.75mm amplitude, in 3 directions duration of 30 minutes.	No mechanical damage and the measured values shall meet electrical parameters.
2	Random Dropping	The crystal will be test by natural dropping to 30mm wooden broad 3 times from high of 30 cm.	
3	Solder Stability	Dipped the terminals no closer than 2 mm into the solder bath at $260 \pm 5^{\circ}\text{C}$ for 10 ± 0.5 sec.	At least 95% of the terminal surface shall be coated by the solder
4	Resistance Solder Heat	Dipped the terminals up to 2 mm into the solder bath ($260 \pm 5^{\circ}\text{C}$) for 3 sec, placed in a natural condition for 2 hours.	Measured values shall meet electrical parameters.
5	Thermal Shock	Temperature cycling from -40°C (30mins) to $+85^{\circ}\text{C}$ (30mins) was performed 3 times, then placed in a natural condition for 2 hours.	
6	Life Test (High Temperature)	Placed in a chamber ($85 \pm 2^{\circ}\text{C}$) for 48 hours, then placed in a natural condition for 2 hours.	
7	Life Test (Low Temperature)	Placed in a chamber ($-40 \pm 2^{\circ}\text{C}$) for 48 hours, then placed in a natural condition for 2 hours.	
8	Humidity	Placed in a chamber (Humi: 90~95% RH, Temp: $40 \pm 2^{\circ}\text{C}$) for 48 hours, then placed in a natural condition for 2 hours.	

DIMENSIONS



Unit: mm

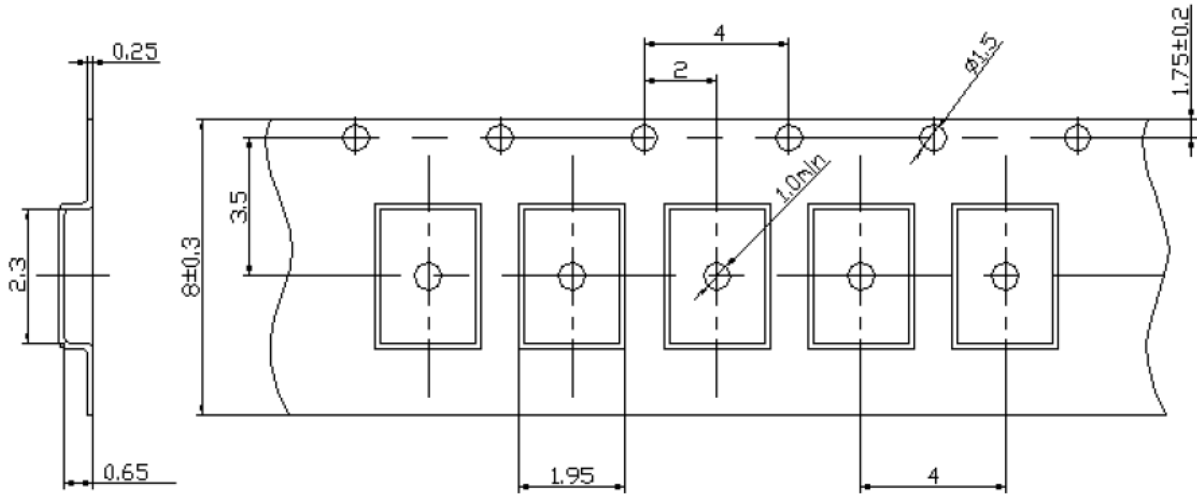
REFLOW PROFILE



CYCLE TIME周期: 200sec Max.

PACKING INFORMATION

TAPE DIMENSIONS (UNIT: mm)



REEL

