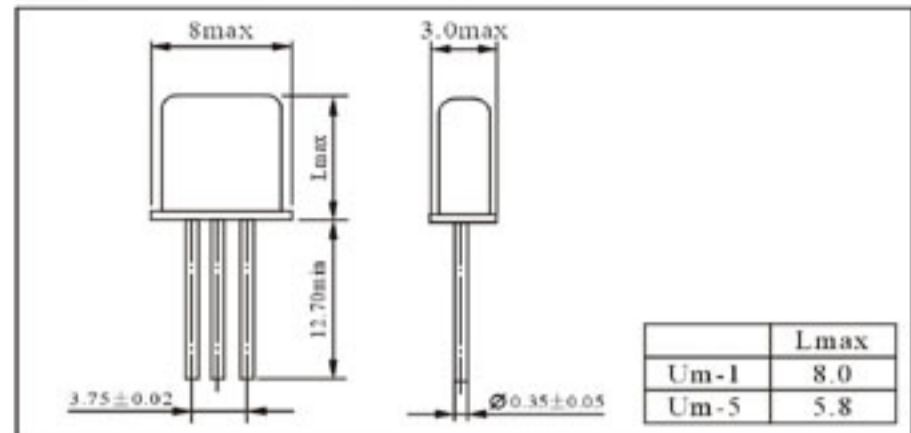


## MONOLITHIC CRYSTAL FILTER

## 单片晶体滤波器

## UM-1/UM-5 DIP TYPE

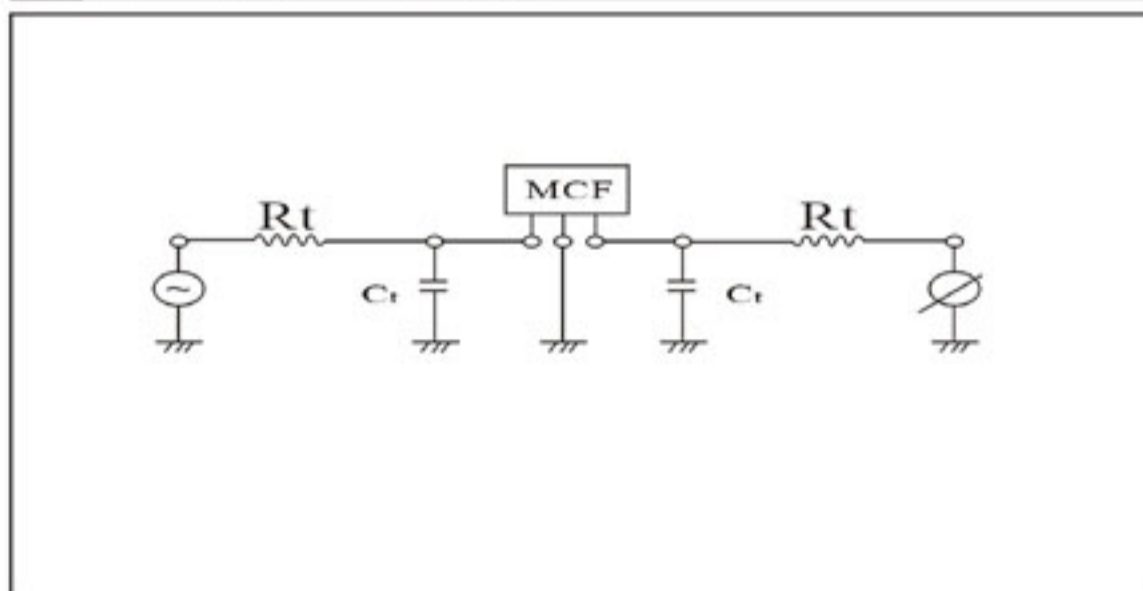
## DIMENSIONS(Unit:mm) 外形尺寸



## UM-1/UM-5 2 POLE

Model 型号	Nominal Frequency 标称频率 MHz	Pass Band Width 通带宽度 KHz/dB	Stop Band Width 阻带宽度 KHz/dB	Ripple 带内波动 dB	Insertion Loss 插入损耗 dB	Terminal Impedance 终端阻抗 Rt//Ct[Ω//pF]	Operating Temp. Range 工作温度范围 °C	Mode of Oscillation 振动模式	Pole 极点
FT21M07A	21.400	±3.75/3	±14/18	0.5	1.5	850//7	-20°C~70°C	Fund	2
FT21M09A	21.400	±4.50/3	±12.5/14	0.5	1.5	850//7	-20°C~70°C	Fund	2
FT21M12A	21.400	±6.00/3	±20/15	0.5	1.5	1200//2.5	-20°C~70°C	Fund	2
FT21M15A1	21.400	±7.50/3	±25/18	0.5	1.5	1500//3	-20°C~70°C	Fund	2
FT21M15A2	21.400	±7.50/3	±30/18	0.5	2.0	1500//3	-20°C~70°C	Fund	2
FT21M15A3	21.400	±7.50/3	±30/18	1.0	2.0	1500//2.0	-20°C~70°C	Fund	2
FT21M20A	21.400	±10.0/3	±25/10	0.5	1.5	1800//1.5	-20°C~70°C	Fund	2
FT21M30A	21.400	±15.0/3	±45/15	0.5	1.5	3000//0.5	-20°C~70°C	Fund	2
FT21P07A	21.600	±3.75/3	±14/18	0.5	1.5	850//5	-20°C~70°C	Fund	2
FT21P12A	21.600	±6.00/3	±20/15	0.5	1.5	1200//2.5	-20°C~70°C	Fund	2
FT21P15A	21.600	±7.50/3	±25/18	0.5	1.5	1500//3	-20°C~70°C	Fund	2
FT21T07A1	21.700	±3.75/3	±14/18	0.5	1.5	850//5	-20°C~70°C	Fund	2
FT21T07A2	21.700	±3.75/3	±15/18	0.5	1.5	850//6	-20°C~70°C	Fund	2
FT21T09A	21.700	±4.50/3	±12.5/14	0.5	1.5	1500//4	-20°C~70°C	Fund	2
FT21T12A	21.700	±6.00/3	±20/15	0.5	1.5	1200//2.5	-20°C~70°C	Fund	2
FT21T15A	21.700	±7.50/3	±25/18	0.5	1.5	1500//3	-20°C~70°C	Fund	2
FT21T20A	21.700	±10.0/3	±25/10	0.5	1.5	1800//1.5	-20°C~70°C	Fund	2
FT21T30A	21.700	±15.0/3	±45/15	0.5	1.5	3000//0.5	-20°C~70°C	Fund	2
FT21S07A	21.750	±3.75/3	±25/18	0.5	1.5	1500//3	-20°C~70°C	Fund	2
FT23M07A	23.050	±3.75/3	±12.5/16	0.5	1.5	1600//5	-20°C~70°C	Fund	2
FT23M15A	23.050	±7.50/3	±25/18	0.5	1.5	1500//3	-20°C~70°C	Fund	2
FT30M15A	30.875	±7.50/3	±25/15	0.5	1.5	800//6	-20°C~70°C	Fund	2
FT45M07A	45.000	±3.75/3	±12.5/10	0.5	1.5	510//5.5	-20°C~70°C	Fund or 3 <sup>rd</sup> overtone	2
FT45M15A	45.000	±7.50/3	±25/14	0.5	1.5	550//3	-20°C~70°C	Fund	2
FT45M30A	45.000	±15.0/3	±50/10	0.5	1.5	510//5.5	-20°C~70°C	Fund	2

## TEST CIRCUIT 测量线路



## PASS BAND FILTER SPEC-DRAWING

