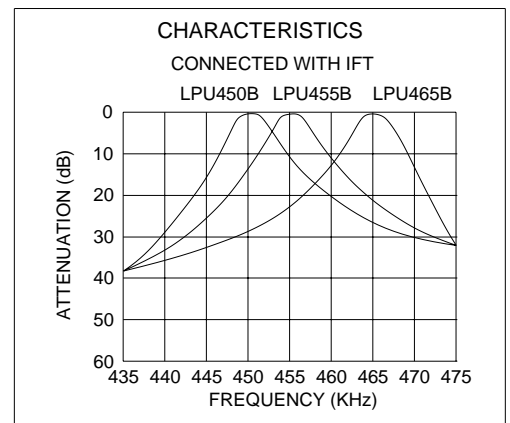
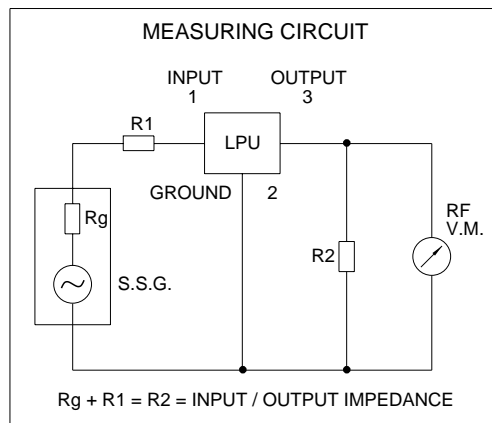


IFT DATA		
WINDING SPECIFICATIONS		
FROM BOTTOM		
1 - 2	2 - 3	4 - 5
70T	115T	7T
UNLOADED Qu		105
TUNING CAPACITY		180pF



SPECIFICATION							
CHARACTERISTICS PART NUMBER	CENTRE FREQUENCY (KHz)	3dB BANDWIDTH (KHz)	SELECTIVITY		INSERTION LOSS (dB) Maximum	INPUT/OUTPUT IMPEDANCE (dB) Maximum	COMPOSTION
			-9 KHz OFF (dB) Minimum	+9 KHz OFF (dB) Minimum			
LPU 450B (Connected with IFT)	450 ±2.0	10 ±3	5	3	5	3000	1 ELEMENT (With IFT)
LPU 455B (Connected with IFT)	455 ±2.0	10 ±3	5	3	5	3000	1 ELEMENT (With IFT)
LPU 460B (Connected with IFT)	460 ±2.0	10 ±3	5	3	5	3000	1 ELEMENT (With IFT)
LPU 465B (Connected with IFT)	465 ±2.0	10 ±3	5	3	5	3000	1 ELEMENT (With IFT)
LPU 468B (Connected with IFT)	468 ±2.0	10 ±3	5	3	5	3000	1 ELEMENT (With IFT)
LPU 469B (Connected with IFT)	469 ±2.0	10 ±3	5	3	5	3000	1 ELEMENT (With IFT)
LPU 470B (Connected with IFT)	470 ±2.0	10 ±3	5	3	5	3000	1 ELEMENT (With IFT)

NOTE:- 1 RATED FREQUENCY RANGE FROM 450KHz TO 470KHz IS AVAILABLE
2 RECOMMENDED IFT (7mm SQUARE)

