

Ultra small size high selectivity type ceramic filter for communication use.

FEATURES

- Ultra small size
- 6.3 mm profile
- Broad bandwidth
- High selectivity
- 6 elements

OPERATING CONDITIONS/ELECTRICAL CHARACTERISTICS

| PART NUMBER | CENTER FREQUENCY (KHz) | INSERTION LOSS (dB) MAX. | PASS BAND RIPPLE (dB) MAX. | 6 dB BANDWIDTH (KHz) MIN. | 50 dB BANDWIDTH (dB) MAX. | STOP BAND ATT. ±100KHZ (dB) MIN. | INPUT / OUTPUT IMPEDANCE (Ω) |
|-------------|------------------------|--------------------------|----------------------------|---------------------------|---------------------------|----------------------------------|------------------------------|
| LTM450BW | 450 ±2.0 | 4 | 2 | ±15 | ±30 | 45 | 1500 |
| LTM450CW | 450 ±2.0 | 4 | 2 | ±12.5 | ±24 | 45 | 1500 |
| LTM450DW | 450 ±1.5 | 4 | 2 | ±10 | ±20 | 45 | 1500 |
| LTM450EW | 450 ±1.5 | 6 | 2 | ±7.5 | ±15 | 45 | 1500 |
| LTM450FW | 450 ±1.5 | 6 | 2 | ±6 | ±12.5 | 45 | 2000 |
| LTM450GW | 450 ±1.5 | 6 | 2 | ±4.5 | ±10 | 45 | 2000 |
| LTM450HW | 450 ±1.0 | 6 | 2 | ±3 | ±9 | 55 | 2000 |
| LTM450IW | 450 ±1.0 | 6 | 2 | ±2 | ±7.5 | 55 | 2000 |
| LTM450HTW | 450 ±1.0 | 6 | 2 | ±3 | ±9 | 60 | 2000 |
| LTM450ITW | 450 ±1.0 | 6 | 2 | ±2 | ±7.5 | 60 | 2000 |

PACKAGE DIMENSIONS (mm)

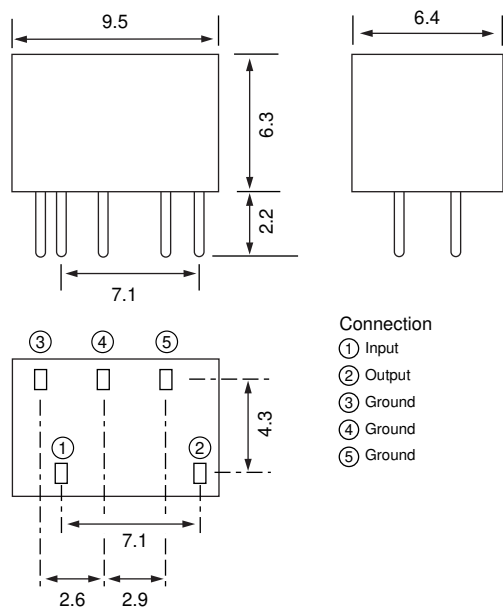


Figure 1) LTM450W – Front, Side and Bottom views

Note: To avoid potential problems, connect the output to an IF amplifier through a DC cut capacitor.
Avoid applying a direct current to output end of the ceramic filters (between ⑤ and ②③④).

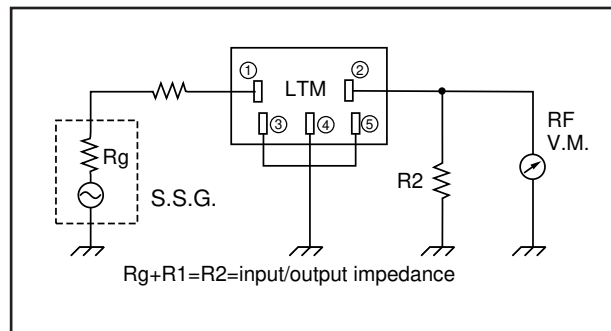


Figure 2) LTM450W – Measuring Circuit

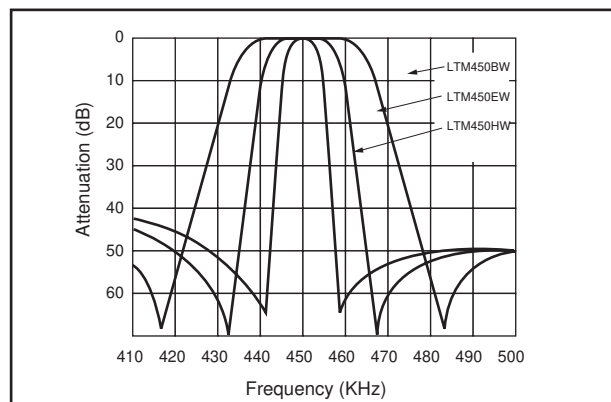


Figure 3) LTM450W – Characteristics