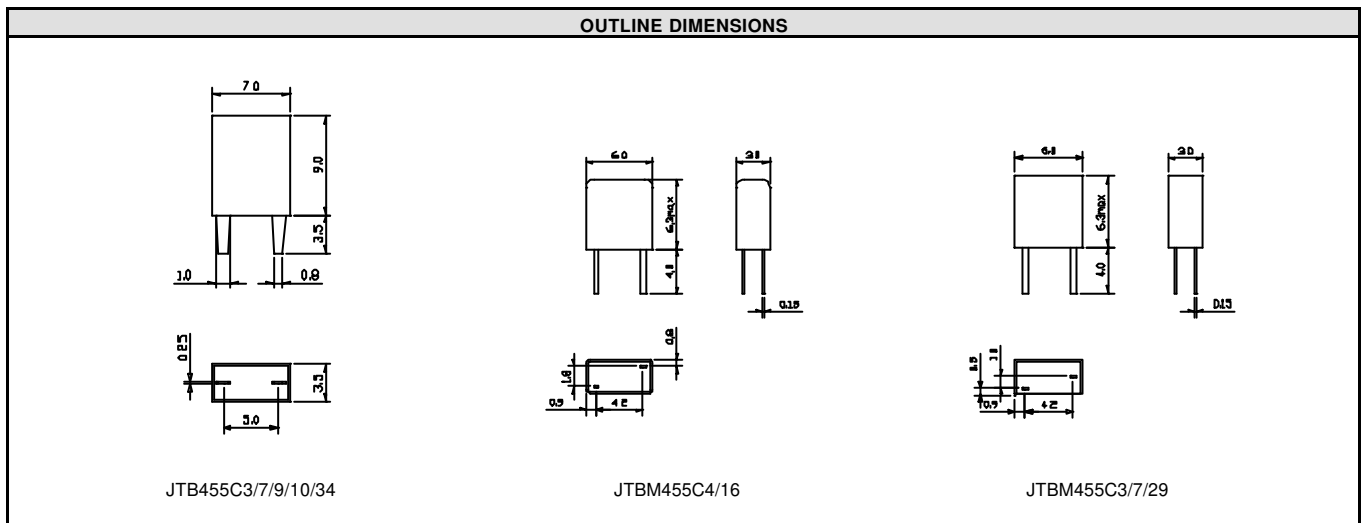


## JTB(M)455 Series Ceramic Discriminator

JTB(M)455 series ceramic discriminators are constructed of wideband piezoelectric elements that allow for adjustment free audio detection. These IC specific devices are utilized in various communication equipment for wideband uses.

# JTB(M)455

SPECIFICATIONS								
Model	Demodulation 3dB Bandwidth (min)	Demodulation Output (455KHz)	Distortion Factor (455KHz)	Impedance Characteristics				
				Resonant Frequency(Fr)	Antiresonant Frequency(Fa)	Δ F(KHz) (Fa – Fr)	Resonant Resistance(Rt)	Capacitance (C) pF
JTB455C3					455 ± 1.5KHz	48 ± 5	70Ω max	600 ± 20%
JTB455C7	± 4.0KHz	340 ± 60mV	2.5% max					
JTB455C9	± 5.0KHz	100mV min	1.5% max					
JTB455C10				429 ± 2.0KHz		46KHz	70Ω max	580 ± 20%
JTB455C34	± 4.0KHz	65 ± 20mV	2.5% max					
JTBM455C4					470 ± 1.0KHz	43 ± 1.0	300Ω max	140 ± 20%
JTBM455C16	± 4.0KHz	190 ± 50mV	2.0% max					
JTBM455C3					455 ± 1.5KHz	46 ± 5.0	70Ω max	550 ± 20%
JTBM455C7	± 4.0KHz	340 ± 60mV	3.0% max					
JTBM455C18	± 3.0KHz	180 ± 40mV	2.0% max					
JTBM455C29	± 4.0KHz	125 ± 30mV	2.5% max					
JTBM455C28	± 4.0KHz	40 ± 20mV	3.0% max					
JTBM455C32	± 4.0KHz	40 ± 20mV	3.0% max					



IC COMPATIBLE CHARACTERICS									
Model	IC Mfg.	IC Number	Note1	Note2	Model	IC Mfg.	IC Number	Note1	Note2
JTB455C3	Sony	CXA1183	*		JTB455C12	Piessy	SL6652		
JTB455C4	Sanyo	LA8610	*		JTB455C13A	Sony	CXA1003BM	*	
JTB455C5	NEC	μPC1167C		*	JTB455C16	Motolora	MC3372	*	
JTB455C7	Motorola	MC3357	*	*	JTB455C29	Signetics	NE605		
JTB455C8	Philips	TDA1576		*	JTB455C34	Motolora	MC13136		
JTB455C9	Signetics	NE604/5	*	*	JTB455C28	Toshiba	TA31142	*	*
JTB455C10	Toshiba	TA8103F	*		JTB455C32	Toshiba	TA31143	*	*
JTB455C11	Siemens	S1469							

Note1: Available in miniature size  
 Note2: Available in 450KHz  
 Note3: JTB/JTBM parts require different external component