

规格书编号

SPEC NO :

产 规 书

SPECIFICATION

CUSTOMER 客 户 : _____
PRODUCT 产 品 : _____ CERAMIC DISCRIMINATOR _____
MODEL NO 型 号 : _____ CDB480C28 _____
PREPARED 编 制 : _____ LEO _____ CHECKED 审 核 : _____ YORK _____
APPROVED 批 准 : _____ LIUMING _____ D A T E 日 期 : _____ 2013-4-15 _____

客户确认 CUSTOMER RECEIVED:		
审核 CHECKED	批准 APPROVED	日期 DATE

无锡市好达电子有限公司
Shoulder Electronics Limited

更改历史记录

History Record

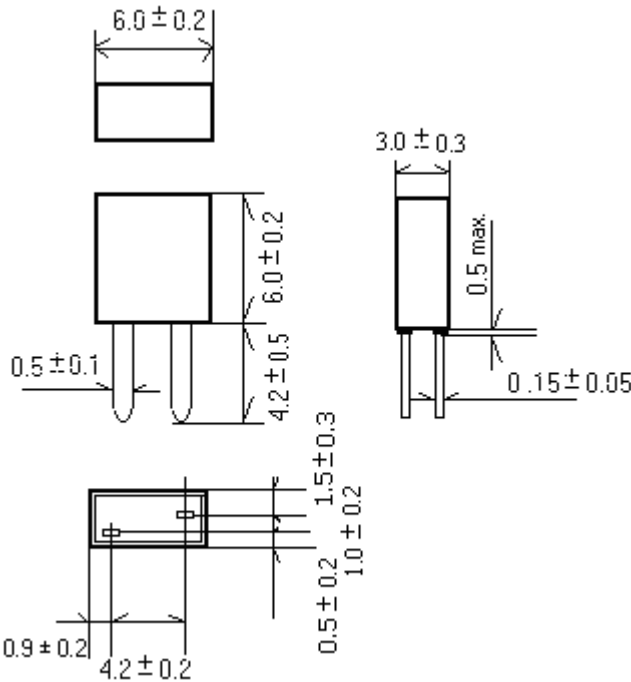
更改日期 Date	规格书编号 Spec No	产品型号 Part No	客户产品型号 Customer No	更改内容描述 Modify Content	备注 Remark

1. APPLICATION

This specification is applied to ceramic discriminator : CDB480C28
 used for quadrature detection with IC : TA31142F (TOSHIBA)

2. SPECIFICATION No.: QJ/A5•10•0605
MODEL NAME

Part Name	Customer's Part No.	Customer's Drawing No.
CDB480C28		

3. DIMENSIONS : (mm)

Material List

Case	Polybutenetelephthalate (mixture of glass fiber)
Terminal	Phosphor bronze Ag Clad
Base Sealing	Epoxy resin

4. MAXIMUM RATINGS

- | | |
|--|--------------------------|
| 4.1 Withstanding Voltage
(Between each terminal) | D.C. 50V. 1 minute |
| 4.2 Insulation Resistance
(Between each terminal) | 100 MΩ min. at D.C. 100V |
| 4.3 Input signal level | 5dB (50Ω Termination) |
| 4.4 Operating Temperature Range | - 20°C to + 80 °C |
| 4.5 Storage Temperature Range | 25 ±5°C |

5. ELECTRICAL CHARACTERISTICS (0°C to + 40 °C)

	Item	Requirements
5-1	Receiver Audio 3dB Bandwidth (from 480KHz)	±4.0 KHz min.
5-2	Receiver Audio Output Voltage (at 480KHz)	40 ± 20 mV
5-3	Distortion (at 480 KHz)	3.0% max.
5-4	Withstanding Voltage	50V D.C. for 1 minute

5-5 Test Method

Input signal Condition Input level : 80dB

Frequency Deviation : ±4.0KHz

Modulation Frequency : 1 KHz

- 1) Recoverd Audio 3dB Bandwidth Input the above signal and sweep the carrier frequency around 480 KHz and find out the maximum audio output frequency. Then sweep the carrier frequency again and find two frequencies which are observed -3dB attenuation points from the maximum point . Higher frequency point is called (f1) and lower called (f2), (f1-480KHz)is defined as upper 3dB bandwidth and (480Khz-f2) defined as lower 3 dB bandwidth.
- 2) Receiver Audio Output Voltage Receiver audio output voltage shall be measured when carrier frequency is adjusted to 480KHz.
- 3) Distortion Carrier frequency is adjusted to 480Khz. And then ,distortion shall be measured with 1 kHz modulation frequency.

6. PRYSICAL AND ENVIRONMENTAL CHARACTERISTICS

	Test Item	Condition of Test	Requirements
6-1	Lead Strength Lead Pulling Lead Bending	After force 1.0Kg is applied to each lead in axial direction. filter shall be measured. When force of 0.5Kg is applied to each lead in axial direction the lead shall be folded up to 90° from the axial direction and folded back to the axial direction .	No mechanical damage and the measured values shall meet item 5.
6-2	Vibration	Filter shall be measured after being applied vibration of amplitude of 1.5mm with 600 to	

		3,300 r.p.m. band of vibration frequency to each of 3 perpendicular directions for 2 hour .	The measured values shall meet Table 1.
6-3	Random Drop	Filter shall be measured after 3 times random dropping from the height of 30cm on concrete floor	
6-4	Temperature Characteristics	Filter shall be measured within -20 °C to +80°C temperature range.	
6-5	Humidity	Filter shall be measured after being placed in a chamber with 90 to 95% R. H. at 40±2°C for 100 hours and then being placed in natural condition for 2 hour.	
6-6	Resistance to Soldering Heat	Lead terminals are immersed up to 1.5mm from filter's body in soldering bath of 260±10°C for 5 ±0.5 seconds and then filter shall be measured after being placed in natural condition for 2 hour.	
6-7	Life Test(High Temperature)	Filter shall be measured after being placed in chamber with 80°C for 100 hours and then being placed in natural condition for 2 hour.	
6-8	Life Test (Low Temperature)	Filter shall be measured after being placed in a chamber with -20°C for 100 hours and then being placed in natural condition for 2 hours.	
6-9	Thermal Shock	After temperature cycling of -20°C (30 minutes) to +80°C (30 minutes) was performed 5 times. Filter shall be returned to room temperature. And filter shall be measured after being placed in natural condition for 2 hours.	

Item	Requirements
------	--------------

Receiver Audio 3dB Bandwidth (from 480KHz)	± 3.0 KHz min.
Receiver Audio Output Voltage (at 480KHz)	40 ± 20 mV
Distortion (at 480KHz)	3.0 % max.
Withstanding Voltage	50V D. C. for 1 minute.

Table 1.